

SECTION 29

13/40 SERIES

FRACTIONAL, METRIC, AND UNIVERSAL HARDWARE

**BOLTS, WASHERS,
HEX NUTS**



**T-NUTS: ECONOMY,
STANDARD, DROP-IN**



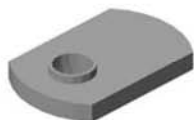
**ANCHOR / BUTT
FASTENERS**



END FASTENERS



15/40 SERIES T-NUTS



ECONOMY T-NUT

- Low cost, high strength



DROP-IN T-NUT W/ SET SCREW

- High strength
- Easy to add or reposition
- Secures for fast assembly
- Extra thread engagement
- Use a 3/32" hex wrench to tighten the set screw
- Not recommended for use with 15EX1515UL



DOUBLE ECONOMY T-NUT

- Low cost, high strength
- Fast assembly for plates
- 1.5" center lines
- Drop-in feature



DROP-IN T-NUT

- High strength
- Flexible handle
- Easy to add
- Extra thread engagement
- Rubber nub can be used as a friction point



TRIPLE ECONOMY T-NUT

- Low cost, high strength
- Fast assembly for plates
- 1.5" center lines
- Drop-in feature



DROP-IN T-NUT W/ DETENT BALL

- High strength
- Easy to add or reposition
- Extra thread engagement
- Spring loaded ball
- Secures for fast assembly
- Not recommended for use with 15EX1515UL



HI-TORQUE T-NUT

- Low cost, high strength
- Extra thread engagement

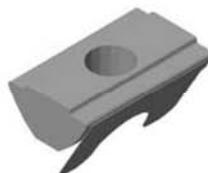
DROP-IN T-NUT W/ SPRING LEAF

- For use with 15EX1515UL
- High strength
- Easy to add or reposition
- Extra thread engagement
- Spring leaf - holds in place
- Secures for fast assembly



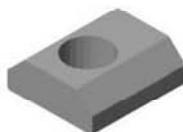
DOUBLE HI-TORQUE T-NUT

- Low cost, high strength
- Extra thread engagement



DROP-IN T-NUT BLANK PROFILE

- High strength
- Unlimited opportunities
- Machine it your way



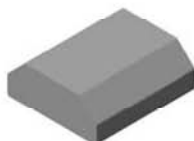
STANDARD T-NUT

- Low cost, high strength
- Extra thread engagement



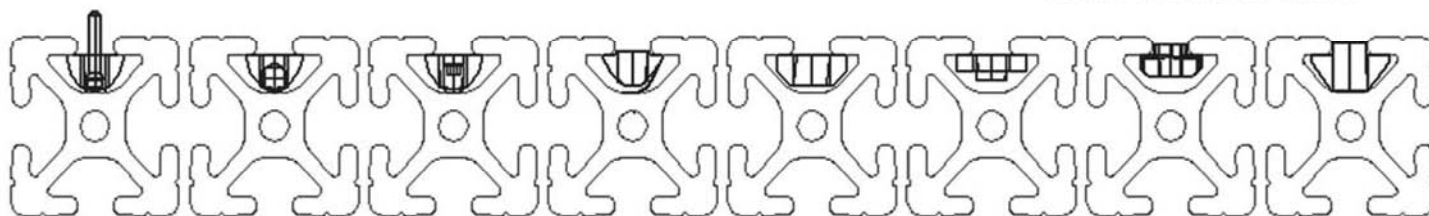
Z-NUT

- High strength
- Easy to add or reposition
- Secures for fast assembly
- Rotates 90 and locks in place



STANDARD T-NUT BLANK PROFILE

- High strength
- Unlimited opportunities
- Machine it your way



Rubber Handle

Alignment Ball

Set Screw

Spring Leaf

Standard

Economy

Z-Nut

Hi-Torque

15/40 SERIES T-NUT CHART

PART #	DESCRIPTION	WIDTH	FINISH	TAP LOCATION	MATERIAL TYPE
15FA3501	ECONOMY T-NUT	.625	BLACK ZINC	OFFSET	LOW CARBON STEEL
15FA3502	DOUBLE ECONOMY T-NUT	.500	BLACK ZINC	CENTERED	LOW CARBON STEEL
15FA3503	STANDARD T-NUT	.625	BLACK ZINC	OFFSET	12L14 CARBON STEEL
15FA3504	DROP-IN T-NUT	.500	BLACK ZINC	OFFSET	12L14 CARBON STEEL
15FA3505	DROP-IN T-NUT W/SET SCREW	.500	BLACK ZINC	OFFSET	12L14 CARBON STEEL
15FA3511	DROP-IN T-NUT W/ALIGNMENT BALL	.500	BLACK ZINC	OFFSET	12L14 CARBON STEEL
15FA3515	LONG DOUBLE ANCHOR T-NUT	.625	BLACK ZINC	CENTERED	12L14 CARBON STEEL
15FA3516	SHORT DOUBLE ANCHOR T-NUT	.625	BLACK ZINC	CENTERED	12L14 CARBON STEEL
15FA3520	TRIPLE ECONOMY T-NUT	.500	BLACK ZINC	CENTERED	LOW CARBON STEEL
15FA3522	DROP-IN T-NUT W/SPRING LEAF	.500	BLACK ZINC	OFFSET	12L14 CARBON STEEL
15FA3530	DOUBLE HI-TORQUE T-NUT	.705	BLACK ZINC	OFFSET	12L14 CARBON STEEL
15FA3532	HI-TORQUE T-NUT	.705	BLACK ZINC	OFFSET	12L14 CARBON STEEL
15FA3538	ECONOMY T-NUT	.625	BLACK ZINC	CENTERED	12L14 CARBON STEEL
15FA3544	DROP-IN T-NUT W/ALIGNMENT BALL	.500	NICKEL PLT	OFFSET	12L14 CARBON STEEL
15FA3600	ECONOMY T-NUT	.625	STAINLESS	OFFSET	12L14 CARBON STEEL
PART #	DESCRIPTION	WIDTH	FINISH	TAP LOCATION	MATERIAL TYPE
15FA3403	STANDARD T-NUT	.625	BLACK ZINC	OFFSET	12L14 CARBON STEEL
15FA3405	DROP-IN T-NUT W/SET SCREW	.500	BLACK ZINC	OFFSET	12L14 CARBON STEEL
15FA3506	ECONOMY T-NUT	.500	BLACK ZINC	OFFSET	LOW CARBON STEEL
15FA3507	DROP-IN T-NUT	.500	BLACK ZINC	OFFSET	12L14 CARBON STEEL
15FA3524	1/4 TURN Z-NUT	.635	BLACK ZINC	OFFSET	12L14 CARBON STEEL
15FA3536	DROP-IN T-NUT W/ALIGNMENT BALL	.500	BLACK ZINC	OFFSET	12L14 CARBON STEEL
15FA3540	DROP-IN T-NUT W/ALIGNMENT BALL	.500	NICKEL PLT	OFFSET	12L14 CARBON STEEL
15FA3558	ECONOMY T-NUT	.500	BLACK ZINC	CENTERED	12L14 CARBON STEEL
15FA3560	DROP-IN T-NUT W/SET SCREW	.500	BLACK ZINC	OFFSET	12L14 CARBON STEEL
PART #	DESCRIPTION	WIDTH	FINISH	TAP LOCATION	MATERIAL TYPE
15FA3407	DROP-IN T-NUT W/SET SCREW	.500	BLACK ZINC	OFFSET	12L14 CARBON STEEL
15FA3509	DROP-IN T-NUT	.500	BLACK ZINC	OFFSET	12L14 CARBON STEEL
15FA3513	STANDARD T-NUT	.625	BLACK ZINC	OFFSET	12L14 CARBON STEEL
15FA3534	DROP-IN T-NUT W/ALIGNMENT BALL	.500	BLACK ZINC	OFFSET	12L14 CARBON STEEL
15FA3542	DROP-IN T-NUT W/ALIGNMENT BALL	.500	NICKEL PLT	OFFSET	12L14 CARBON STEEL



15/40 SERIES T-NUT CHART

PART #	M8 x 1.25	WIDTH	FINISH	TAP LOCATION	MATERIAL TYPE
15MFA3920	ECONOMY T-NUT	.625	BRIGHT ZINC	OFFSET	LOW CARBON STEEL
15MFA3921	STANDARD T-NUT	.625	BRIGHT ZINC	OFFSET	12L14 CARBON STEEL
15MFA3922	DROP-IN T-NUT	.500	BRIGHT ZINC	OFFSET	12L14 CARBON STEEL
15MFA3923	DROP-IN T-NUT W/ ALIGNMENT BALL	.500	BRIGHT ZINC	OFFSET	12L14 CARBON STEEL

PART #	M6 x 1.0	WIDTH	FINISH	TAP LOCATION	MATERIAL TYPE
15MFA3900	ECONOMY T-NUT	.625	BRIGHT ZINC	OFFSET	LOW CARBON STEEL
15MFA3902	DROP-IN T-NUT	.500	BRIGHT ZINC	OFFSET	12L14 CARBON STEEL
15MFA3932	1/4-TURN Z-NUT	.635	BRIGHT ZINC	OFFSET	12L14 CARBON STEEL
15MFA3928	DROP-IN T-NUT W/ ALIGNMENT BALL	.500	BRIGHT ZINC	OFFSET	12L14 CARBON STEEL

PART #	M5 x .8	WIDTH	FINISH	TAP LOCATION	MATERIAL TYPE
15MFA3925	STANDARD T-NUT	.625	BRIGHT ZINC	OFFSET	12L14 CARBON STEEL

PART #	BLANK T-NUT PROFILE	WIDTH	FINISH	TAP LOCATION	MATERIAL TYPE
15SS8006	STANDARD T-NUT BLANK	.500	PLAIN	-	12L14 CARBON STEEL
15SS8007	DROP-IN T-NUT BLANK	.500	PLAIN	-	12L14 CARBON STEEL
15SS8017	STANDARD T-NUT PROFILE - PER INCH	.625	PLAIN	-	12L14 CARBON STEEL
15SS8075	DROP-IN T-NUT PROFILE - 24" BAR	.500	PLAIN	-	12L14 CARBON STEEL
15SS8076	HI-TORQUE T-NUT PROFILE - 24" BAR	.500	PLAIN	-	12L14 CARBON STEEL



UNIVERSAL FASTENER CHARTS

5/16-18 FRACTIONAL (SAE) SIZES

5/16-18 SOCKET HEAD CAP SCREW (SHCS)			
PART #	DESCRIPTION	FINISH	TOOL
13FA3325	5/16-18 x 5/8 SHCS	BLACK ZINC	1/4 HEX
13FA3326	5/16-18 x 3/4 SHCS	BLACK ZINC	1/4 HEX
13FA3327	5/16-18 x 7/8 SHCS	BLACK ZINC	1/4 HEX
13FA3328	5/16-18 x 1-1/4 SHCS	BLACK ZINC	1/4 HEX
13FA3329	5/16-18 x 1-1/2 SHCS	BLACK ZINC	1/4 HEX
13FA3603	5/16-18 x 1-1/4 SHCS	STAINLESS	1/4 HEX

5/16-18 BUTTON HEAD SOCKET CAP SCREW (BHS CS)			
PART #	DESCRIPTION	FINISH	TOOL
13FA3321	5/16-18 x 1/2 BSHCS	BLACK ZINC	3/16 HEX
13FA3322	5/16-18 x 5/8 BSHCS	BLACK ZINC	3/16 HEX
13FA3323	5/16-18 x 3/4 BSHCS	BLACK ZINC	3/16 HEX
13FA3324	5/16-18 x 1 BSHCS	BLACK ZINC	3/16 HEX
13FA3602	5/16-18 x 5/8 BSHCS	STAINLESS	3/16 HEX
13FA3604	5/16-18 x 1 BSHCS	STAINLESS	3/16 HEX

5/16-18 LOW HEAD SOCKET CAP SCREW (LHSCS)			
PART #	DESCRIPTION	FINISH	TOOL
13FA3354	5/16-18 x 5/8 LHSCS	BLACK ZINC	3/16 HEX
13FA3710	5/16-18 x 1-1/4 LHSCS	BLACK ZINC	3/16 HEX

5/16-18 FLANGED BUTTON HEAD CAP SCREW (FBHSCS)			
PART #	DESCRIPTION	FINISH	TOOL
13FA3330	5/16-18 x 1/2 FBHSCS	BLACK ZINC	3/16 HEX
13FA3331	5/16-18 x 5/8 FBHSCS	BLACK ZINC	3/16 HEX

5/16-18 FRACTIONAL (SAE) SIZES

5/16-18 CARRIAGE BOLTS			
PART #	DESCRIPTION	FINISH	TOOL
13FA3708	5/16-18 x 1 C-BOLT	BLACK ZINC	N/A
13FA3612	5/16-18 x 1 C-BOLT	STAINLESS	N/A

5/16-18 DROP-IN T-BOLTS			
PART #	DESCRIPTION	FINISH	TOOL
13FA3720	5/16-18 x 3/4 T-BOLT	BLACK ZINC	N/A
13FA3721	5/16-18 x 1 T-BOLT	BLACK ZINC	N/A
13FA3722	5/16-18 x 1-1/4 T-BOLT	BLACK ZINC	N/A
13FA3723	5/16-18 x 1 -1/2 T-BOLT	BLACK ZINC	N/A

5/16-18 FLAT HEAD SOCKET CAP SCREW (FHSCS)			
PART #	DESCRIPTION	FINISH	TOOL
13FA3353	5/16-18 x 5/8 FHSCS	BLACK ZINC	3/16 HEX
13FA3342	5/16-18 x 3/4 FHSCS	BLACK ZINC	3/16 HEX

1/4-20 FRACTIONAL (SAE) SIZES

1/4-20 SOCKET HEAD CAP SCREW (SHCS)			
PART #	DESCRIPTION	FINISH	TOOL
13FA3303	1/4-20 x 1/2 SHCS	BLACK ZINC	3/16 HEX
13FA3304	1/4-20 x 5/8 SHCS	BLACK ZINC	3/16 HEX
13FA3305	1/4-20 x 3/4 SHCS	BLACK ZINC	3/16 HEX
13FA3311	1/4-20 x 7/8 SHCS	BLACK ZINC	3/16 HEX
13FA3306	1/4-20 x 1 SHCS	BLACK ZINC	3/16 HEX

1/4-20 BUTTON HEAD SOCKET CAP SCREW (BHSCS)			
PART #	DESCRIPTION	FINISH	TOOL
13FA3300	1/4-20 x 1/2 BHSCS	BLACK ZINC	5/32 HEX
13FA3301	1/4-20 x 5/8 BHSCS	BLACK ZINC	5/32 HEX
13FA3302	1/4-20 x 3/4 BHSCS	BLACK ZINC	5/32 HEX
13FA3336	1/4-20 x 1 BHSCS	BLACK ZINC	5/32 HEX
13FA3305	1/4-20 x 1/2 BHSCS	STAINLESS	5/32 HEX
13FA3306	1/4-20 x 3/4 BHSCS	STAINLESS	5/32 HEX

1/4-20 FLANGED BUTTON HEAD SOCKET CAP SCREW (FBHSCS)			
PART #	DESCRIPTION	FINISH	TOOL
13FA3308	1/4-20 x 3/8 FBHSCS	BLACK ZINC	3/16 HEX
13FA3309	1/4-20 x 1/2 FBHSCS	BLACK ZINC	3/16 HEX
13FA3310	1/4-20 x 3/4 FBHSCS	BLACK ZINC	3/16 HEX

1/4-20 LOW HEAD SOCKET CAP SCREW (LHSCS)			
PART #	DESCRIPTION	FINISH	TOOL
13FA3360	1/4-20 x 1/2 LHSCS	BLACK ZINC	5/32 HEX
13FA3362	1/4-20 x 1 LHSCS	BLACK ZINC	5/32 HEX

1/4-20 FLAT HEAD SOCKET CAP SCREW (FHSCS)			
PART #	DESCRIPTION	FINISH	TOOL
13FA3110	1/4-20 x 1/2 FHSCS	BLACK ZINC	5/32 HEX
13FA3111	1/4-20 x 5/8 FHSCS	BLACK ZINC	5/32 HEX
13FA3126	1/4-20 x 7/8 FHSCS	BLACK ZINC	5/32 HEX
13FA3127	1/4-20 x 1 FHSCS	BLACK ZINC	5/32 HEX

1/4-20 CARRIAGE BOLTS			
PART #	DESCRIPTION	FINISH	TOOL
13FA3709	1/4-20 x 3/4 C-BOLT	BLACK ZINC	N/A

3/8-16 FRACTIONAL (SAE) SIZES

1/2-13 FRACTIONAL (SAE) SIZES

3/8-16 SOCKET HEAD CAP SCREW (SHCS)			
PART #	DESCRIPTION	FINISH	TOOL
13FA3340	3/8-16 x 3/4 SHCS	BLACK ZINC	5/16 HEX

1/2-13 BUTTON HEAD SOCKET CAP SCREW (BHSCS)			
PART #	DESCRIPTION	FINISH	TOOL
13FA3338	1/2-13 x 3/4 BHSCS	BLACK ZINC	5/16 HEX

10-32 FRACTIONAL (SAE) SIZES

10-32 SOCKET HEAD CAP SCREW (SHCS)			
PART #	DESCRIPTION	FINISH	TOOL
13FA3347	10-32 x 3/8 SHCS	BLACK ZINC	5/32 HEX
13FA3350	10-32 x 1/2 SHCS	BLACK ZINC	5/32 HEX
13FA3351	10-32 x 5/8 SHCS	BLACK ZINC	5/32 HEX
13FA3352	10-32 x 3/4 SHCS	BLACK ZINC	5/32 HEX
13FA3607	10-32 x 3/4 SHCS	STAINLESS	5/32 HEX

10-32 BUTTON HEAD SOCKET CAP SCREW (BHSCS)			
PART #	DESCRIPTION	FINISH	TOOL
13FA3346	10-32 x 3/8 BHSCS	BLACK ZINC	5/32 HEX
13FA3345	10-32 x 1/2 BHSCS	BLACK ZINC	5/32 HEX
13FA3348	10-32 x 5/8 BHSCS	BLACK ZINC	5/32 HEX

FRACTIONAL (SAE) SIZES (WASHERS / HEX NUTS)

FLAT WASHERS			
PART #	DESCRIPTION	FINISH	TOOL
13FA3700	5/16" x .062"	BLACK ZINC	N/A
13FA3704	5/16" x .125"	BLACK ZINC	N/A
13FA3609	5/16" x .062"	STAINLESS	N/A
13FA3701	1/4" x .062"	BLACK ZINC	N/A
13FA3712	1/4" x .125"	BLACK ZINC	N/A
13FA3608	1/4" x .062"	STAINLESS	N/A

HEX NUTS			
PART #	DESCRIPTION	FINISH	TOOL
13FA3113	5/16-18	BLACK ZINC	N/A
13FA3112	5/16-18	BLACK ZINC	N/A
13FA3611	1/4-20	STAINLESS	N/A
13FA3610	1/4-20	STAINLESS	N/A

M8 x 1.25 METRIC SIZES

M8 x 1.25 SOCKET HEAD CAP SCREW (SHCS)			
PART #	DESCRIPTION	FINISH	TOOL
13MFA3649	M8 x 12 SHCS	BRIGHT ZINC	M6 HEX
13MFA3650	M8 x 14 SHCS	BRIGHT ZINC	M5 HEX
13MFA3651	M8 x 16 SHCS	BRIGHT ZINC	M5 HEX
13MFA3609	M8 x 20 SHCS	BRIGHT ZINC	M5 HEX
13MFA3652	M8 x 25 SHCS	BRIGHT ZINC	M5 HEX
13MFA3610	M8 x 30 SHCS	BRIGHT ZINC	M5 HEX
13MFA3653	M8 x 40 SHCS	BRIGHT ZINC	M5 HEX
13MFA3654	M8 x 50 SHCS	BRIGHT ZINC	M5 HEX

M8 x 1.25 BUTTON HEAD SOCKET CAP SCREW (BHSCS)			
PART #	DESCRIPTION	FINISH	TOOL
13MFA3607	M8 x 12 BHSCS	BRIGHT ZINC	M5 HEX
13MFA3655	M8 x 14 BHSCS	BRIGHT ZINC	M5 HEX
13MFA3613	M8 x 16 BHSCS	BRIGHT ZINC	M5 HEX
13MFA3612	M8 x 20 BHSCS	BRIGHT ZINC	M5 HEX
13MFA3608	M8 x 25 BHSCS	BRIGHT ZINC	M5 HEX
13MFA3656	M8 x 40 BHSCS	BRIGHT ZINC	M5 HEX
13MFA3657	M8 x 50 BHSCS	BRIGHT ZINC	M5 HEX

M8 x 1.25 CARRIAGE BOLT			
PART #	DESCRIPTION	FINISH	TOOL
13MFA3614	M8 x 25 C-BOLT	BRIGHT ZINC	N/A

M6 x 1.0 METRIC SIZES

M6 x 1.0 SOCKET HEAD CAP SCREW (SHCS)			
PART #	DESCRIPTION	FINISH	TOOL
13MFA3602	M6 x 16 SHCS	BRIGHT ZINC	M5 HEX
13MFA3618	M6 x 20 SHCS	BRIGHT ZINC	M5 HEX
13MFA3606	M6 x 22 SHCS	BRIGHT ZINC	M5 HEX
13MFA3648	M6 x 25 SHCS	BRIGHT ZINC	M5 HEX

M6 x 1.0 BUTTON HEAD SOCKET CAP SCREW (BHSCS)			
PART #	DESCRIPTION	FINISH	TOOL
13MFA3621	M6 x 10 BHSCS	BRIGHT ZINC	M5 HEX
13MFA3605	M6 x 12 BHSCS	BRIGHT ZINC	M5 HEX
13MFA3647	M6 x 16 BHSCS	BRIGHT ZINC	M5 HEX
13MFA3615	M6 x 20 BHSCS	BRIGHT ZINC	M5 HEX
13MFA3648	M6 x 25 BHSCS	BRIGHT ZINC	M5 HEX

M6 x 1.0 CARRIAGE BOLT			
PART #	DESCRIPTION	FINISH	TOOL
13MFA3611	M6 x 20 C-BOLT	BRIGHT ZINC	N/A

M5 x .8 METRIC SIZES

M5 x .8 SOCKET HEAD CAP SCREW (SHCS)			
PART #	DESCRIPTION	FINISH	TOOL
13MFA3640	M5 x 8 SHCS	BRIGHT ZINC	M5 HEX
13MFA3641	M5 x 12 SHCS	BRIGHT ZINC	M5 HEX
13MFA3642	M5 x 16 SHCS	BRIGHT ZINC	M5 HEX

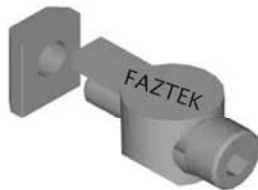
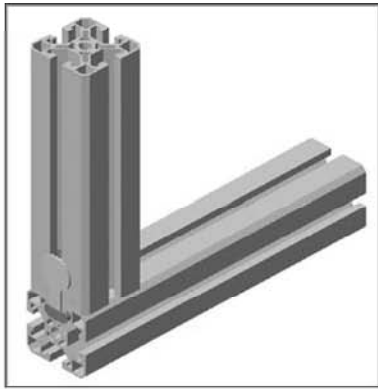
M5 x .8 BUTTON HEAD SOCKET CAP SCREW (BHSCS)			
PART #	DESCRIPTION	FINISH	TOOL
13MFA3643	M5 x 8 BHSCS	BRIGHT ZINC	M5 HEX
13MFA3644	M5 x 12 BHSCS	BRIGHT ZINC	M5 HEX
13MFA3645	M5 x 16 BHSCS	BRIGHT ZINC	M5 HEX

METRIC SIZES (WASHERS / HEX NUTS)

FLAT WASHERS			
PART #	DESCRIPTION	FINISH	TOOL
13MFA3622	M8 x 1.58	BRIGHT ZINC	N/A
13MFA3620	M6 x 1.58	BRIGHT ZINC	N/A

HEX NUTS			
PART #	DESCRIPTION	FINISH	TOOL
13MFA3617	M8 x 1.25	BRIGHT ZINC	N/A
13MFA3616	M6 x 1.0	BRIGHT ZINC	N/A

40 SERIES ANCHOR FASTENERS

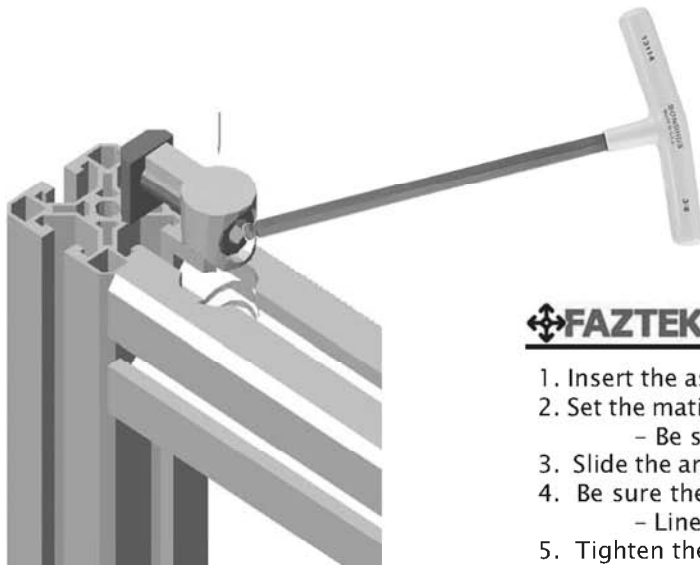


COMBO PART # 40MFAC3720

ANCHOR FASTENER W/ STANDARD T-NUT	
15MFA3921	M8 x 1.25 STANDARD T-NUT
13MFA3610	M8 x 30MM SHCS
15FA3610	40 SERIES ANCHOR BODY

* For 40 series counterbore service, see page 414

Fasteners

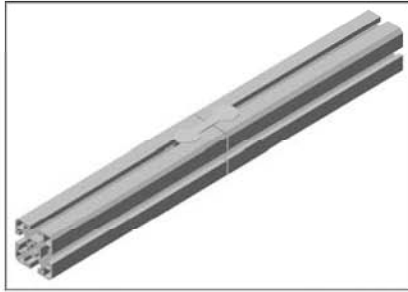


- STRONGEST CONNECTOR
- EASY POSITIONING
- **MOST** COST EFFECTIVE FASTENER
- INFINITE ADJUSTABILITY
- MADE OF ZINC DIE CASTING
- CORROSION RESISTANT FINISH
- FAST ASSEMBLY

FAZTEK ASSEMBLY TIP

1. Insert the assembled anchor fastener into the T-Slot.
2. Set the mating extrusion 90° to the joining slot.
 - Be sure the counterbore is oriented properly -
3. Slide the anchor fastener into the counterbore of the mating extrusion.
4. Be sure the extrusions are squared up.
 - Line up the grooves in the extrusions -
5. Tighten the anchor fastener with a 3/16" "T" Handle Ball End Hex Wrench.
 - Found on page 254 -

40 SERIES BUTT FASTENERS



- Allows you to draw 2 extrusions together tight, creating virtually one long extrusion
- Strong connector
- Uses same counterbore service as the anchor fastener

COMBO PART # 40MFAC3730

BUTT-FASTENER ASSEMBLY

15FA3612	15 SERIES ANCHOR CAM (MOD)
13MFA3654	M8 x 50mm SHCS
15FA3610	15 SERIES ANCHOR CAM

* For 40 series counterbore service, see page 414

