

# SECTION 27

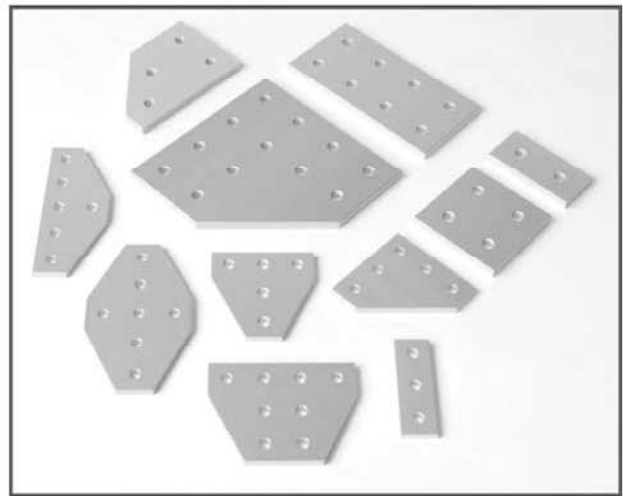
## 40 SERIES

### MOUNTING BRACKETS

#### CORNER BRACKETS



#### JOINING PLATES

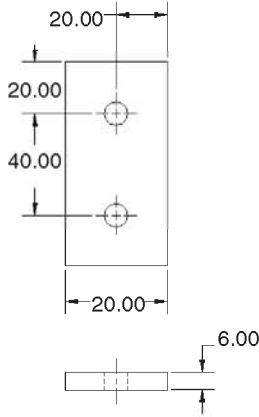


# BOLT PATTERN DIMENSIONS

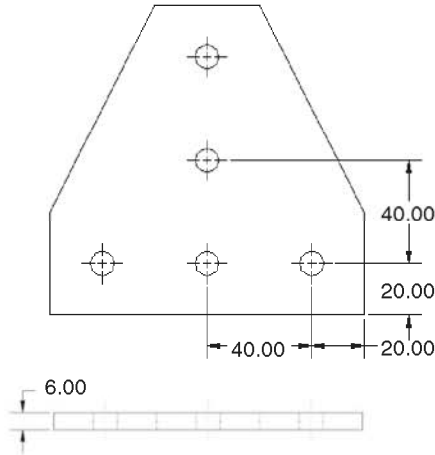
## 40 Series Dimensions (mm)

The following patterns are for all  
Joining Plates and Inside Corner Brackets

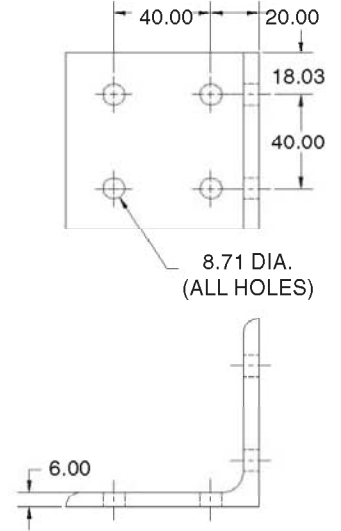
### Joining Strips



### Joining Plates



### Corner Brackets



All Joining Plates and Corner  
Brackets are made from 6061-T6  
clear anodized aluminum

Brackets

**Don't Let**



**OSHA**

**Catch You**

**With**



**Your Guarding**

**Down!**

- 2D & 3D CAD Support
- Full Inventory of Products
- Completely Modular

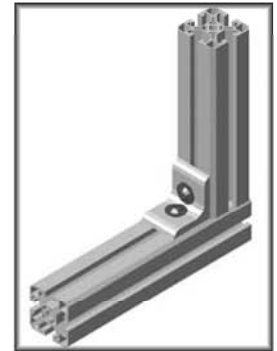
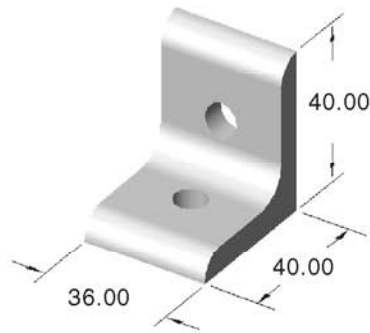


- FAST Shipments!

- Free Design Assistance
- Made in the USA
- Free Kit Packaging
- Competitive Pricing

### 40CB4801

40 SERIES  
2 HOLE INSIDE CORNER BRACKET



Part Wt: .080 lbs

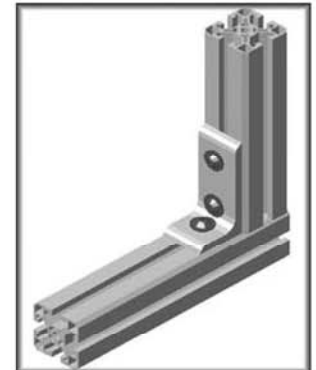
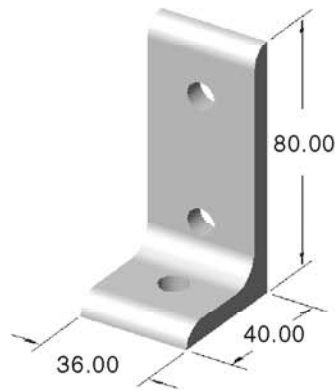
RECOMMENDED HARDWARE

QTY	DESCRIPTION	PART #
2	M8 x 16mm BHSCS	13MFA3613
2	M8 x 1.25 ECONOMY T-NUT	15MFA3920

For additional fasteners and t-nuts, see pages 403-406

### 40CB4802

40 SERIES  
3 HOLE INSIDE CORNER BRACKET



Part Wt: .130 lbs

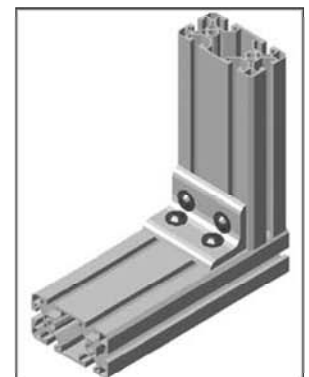
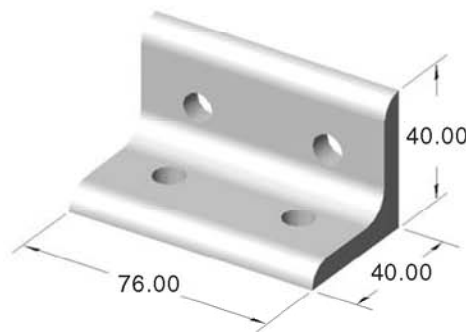
RECOMMENDED HARDWARE

QTY	DESCRIPTION	PART #
3	M8 x 16mm BHSCS	13MFA3613
3	M8 x 1.25 ECONOMY T-NUT	15MFA3920

For additional fasteners and t-nuts, see pages 403-406

### 40CB4803

40 SERIES  
4 HOLE INSIDE CORNER BRACKET



Part Wt: .175 lbs

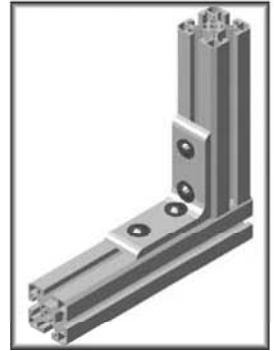
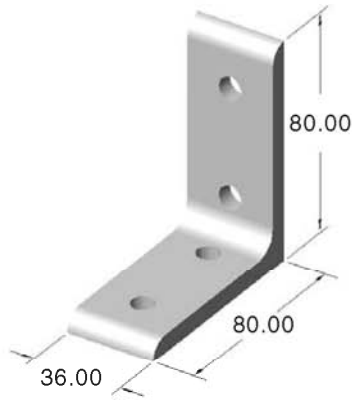
RECOMMENDED HARDWARE

QTY	DESCRIPTION	PART #
4	M8 x 16mm FBHSCS	13MFA3613
4	M8 x 1.25 ECONOMY T-NUT	15MFA3920

For additional fasteners and t-nuts, see pages 403-406

### 40CB4804

40 SERIES  
4 HOLE INSIDE CORNER BRACKET



Part Wt: .170 lbs

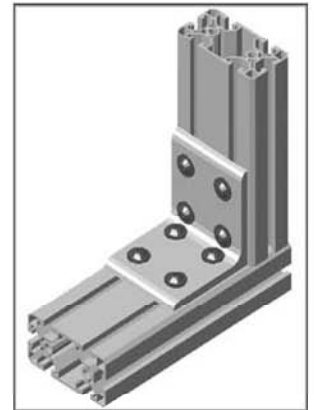
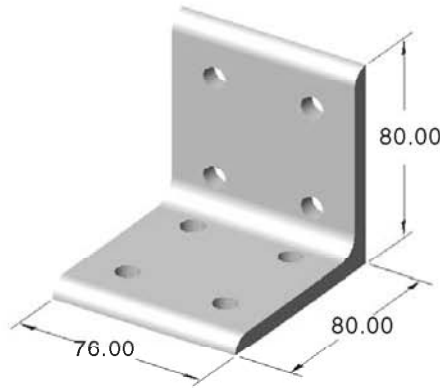
RECOMMENDED HARDWARE

QTY	DESCRIPTION	PART #
4	M8 x 16mm BHSCS	13MI-A3613
4	M8 x 1.25 ECONOMY T-NUT	15MFA3920

For additional fasteners and t-nuts, see pages 403-406

### 40CB4805

40 SERIES  
8 HOLE INSIDE CORNER BRACKET



Part Wt: .365 lbs

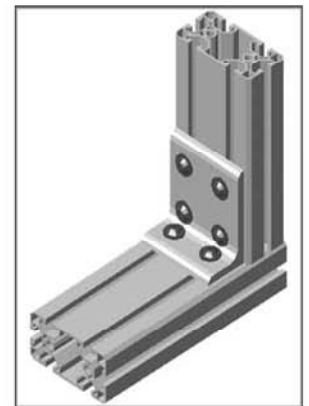
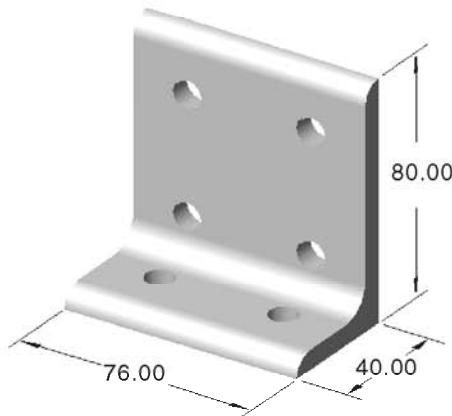
RECOMMENDED HARDWARE

QTY	DESCRIPTION	PART #
8	M8 x 16mm BHSCS	13MFA3613
8	M8 x 1.25 ECONOMY T-NUT	15MFA3920

For additional fasteners and t-nuts, see pages 403-406

### 40CB4806

40 SERIES  
6 HOLE INSIDE CORNER BRACKET



Part Wt: .285 lbs

RECOMMENDED HARDWARE

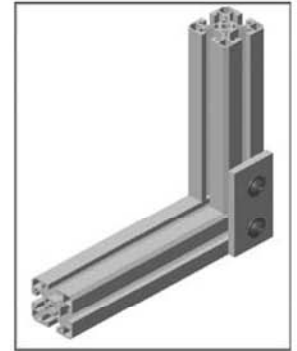
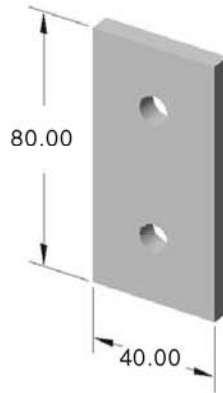
QTY	DESCRIPTION	PART #
6	M8 x 16mm BHSCS	13MFA3613
6	M8 x 1.25 ECONOMY T-NUT	15MFA3920

For additional fasteners and t-nuts, see pages 403-406

Brackets

### 40JP4501

40 SERIES  
2 HOLE JOINING STRIP



Part Wt: .105 lbs

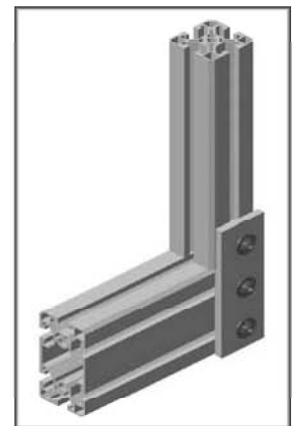
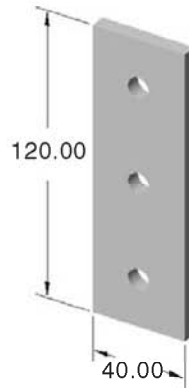
RECOMMENDED HARDWARE

QTY	DESCRIPTION	PART #
2	M8 x 16mm BHSCS	13MFA3613
2	M8 x 1.25 ECONOMY T-NUT	15MFA3920

For additional fasteners and t-nuts, see pages 403-406

### 405JP4502

40 SERIES  
3 HOLE JOINING STRIP



Part Wt: .155 lbs

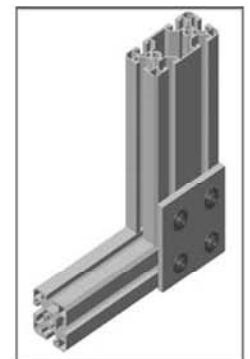
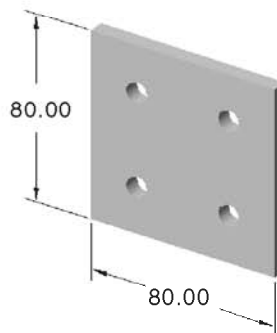
RECOMMENDED HARDWARE

QTY	DESCRIPTION	PART #
3	M8 x 16mm BHSCS	13MFA3613
3	M8 x 1.25 ECONOMY T-NUT	15MFA3923

For additional fasteners and t-nuts, see pages 403-406

### 40JP4504

40 SERIES  
4 HOLE JOINING PLATE



Part Wt: .210 lbs

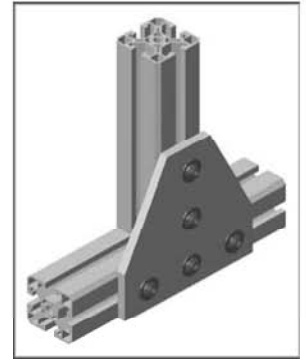
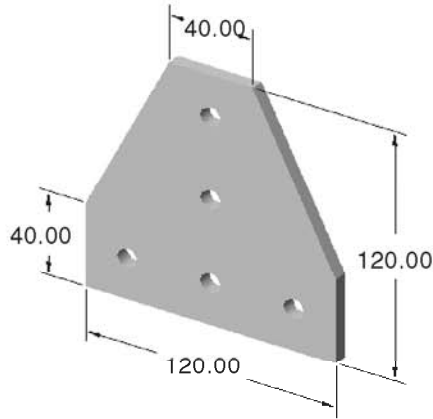
RECOMMENDED HARDWARE

QTY	DESCRIPTION	PART #
4	M8 x 16mm BHSCS	13MFA3613
4	M8 x 1.25 ECONOMY T-NUT	15MFA3920

For additional fasteners and t-nuts, see pages 403-406

### 40JP4506

40 SERIES  
5 HOLE TEE JOINING PLATE



Part Wt: .370 lbs

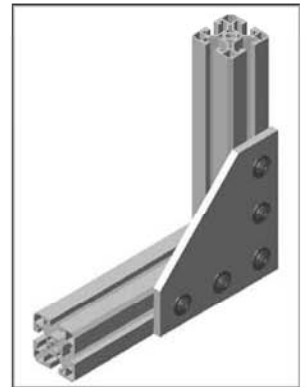
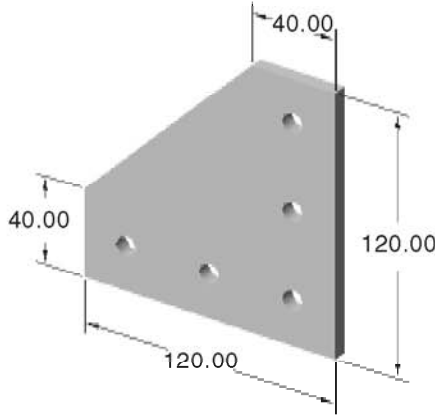
RECOMMENDED HARDWARE

QTY	DESCRIPTION	PART #
5	M8 x 16mm BHSCS	13MFA3613
5	M8 x 1.25 ECONOMY T-NUT	15MFA3920

For additional fasteners and t-nuts, see pages 403-406

### 40JP4507

40 SERIES  
5 HOLE 90° JOINING PLATE



Part Wt: .375 lbs

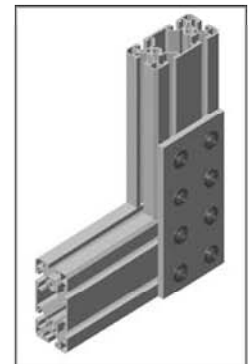
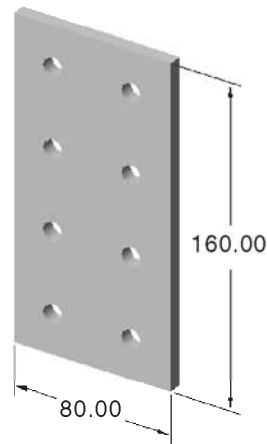
RECOMMENDED HARDWARE

QTY	DESCRIPTION	PART #
5	M8 x 1.25 BHSCS	13MFA3613
5	M8 x 1.25 ECONOMY T-NUT	15MFA3920

For additional fasteners and t-nuts, see pages 403-406

### 40JP4509

40 SERIES  
8 HOLE JOINING PLATE



Part Wt: .415 lbs

RECOMMENDED HARDWARE

QTY	DESCRIPTION	PART #
8	M8 x 16mm BHSCS	13MFA3613
8	M8 x 1.25 ECONOMY T-NUT	15MFA3920

For additional fasteners and t-nuts, see pages 403-406

Brackets

