

# SECTION 24

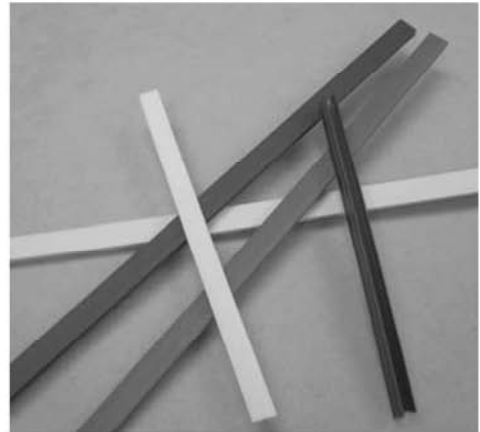
25 SERIES

- ACCESSORIES -

ENDCAPS



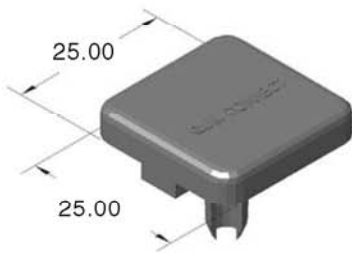
T-SLOT COVER,  
PANEL GASKET



## 25 SERIES ENDCAPS

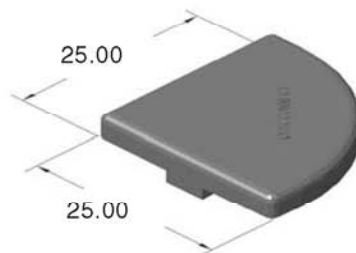
### 25AC7730

25mm x 25mm END CAP



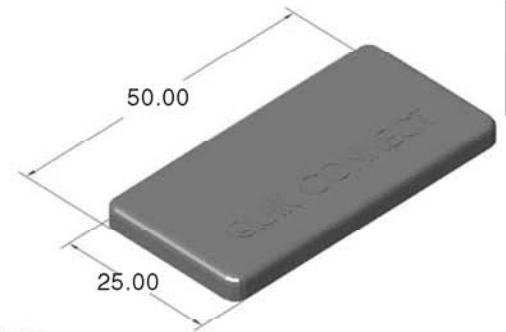
### 25AC7728

25mm QUARTER ROUND ENDCAP



### 25AC7732

25mm x 75mm ENDCAP



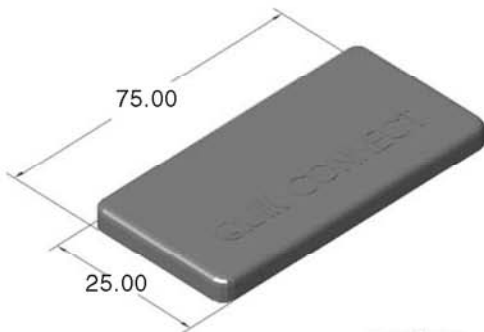
- NO HARDWARE REQUIRED
- MADE OF POLYPROPYLENE



Accessories

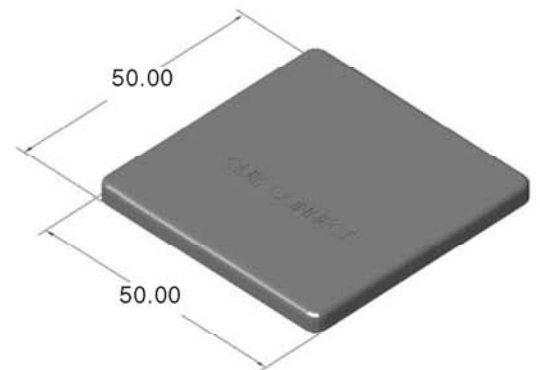
### 25AC7726

25mm x 75mm ENDCAP



### 25AC7734

50mm x 50mm ENDCAP



## 25 SERIES T-SLOT COVER

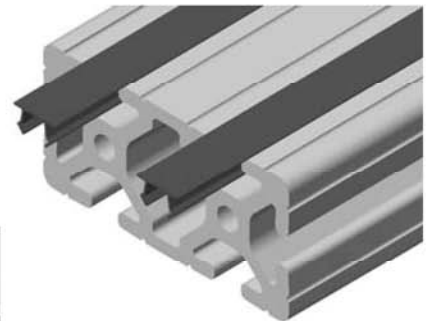
**25AC7750** - STOCK LENGTH = 96.0"  
(YELLOW)

**25AC7751** - STOCK LENGTH = 96.0"  
(BLACK)

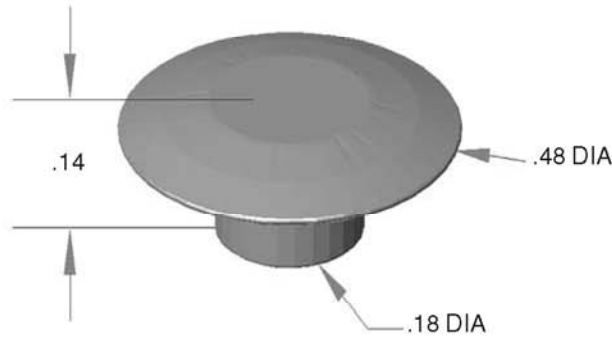
- PRESSES **EASILY** INTO SLOT
- A GREAT FINISH TO A PROJECT
- KEEPS T-SLOTS CLEAN



T-Slot cover can be cut with a sharp utility knife, diagonal cutters, pruning shears, etc...

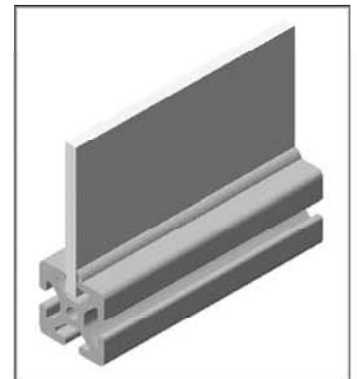
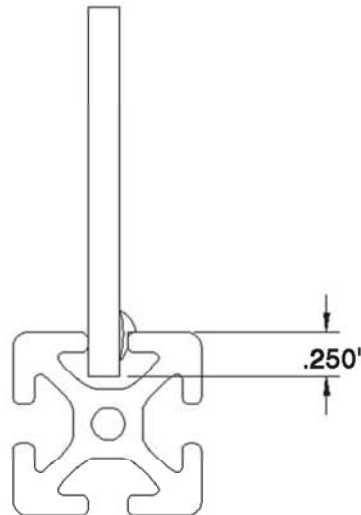


**25AC7740**  
ACCESS HOLE PLUG



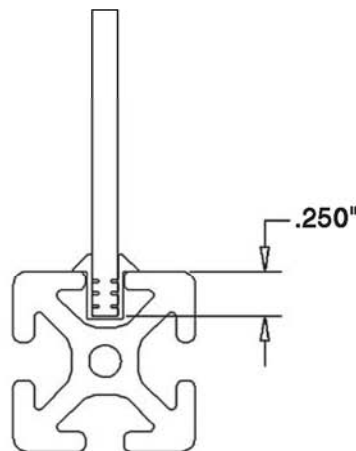
- CLEAN LOOK!
- ECONOMICAL
- GRAY PLASTIC

**25AC7832**  
ONE SIDED EXTERNAL POLYCARBONATE SEAL



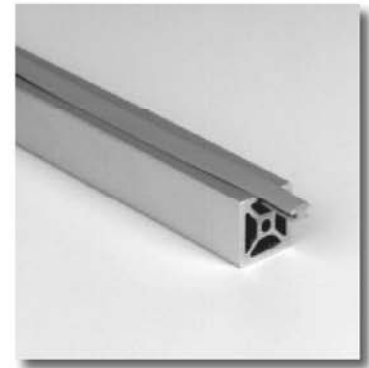
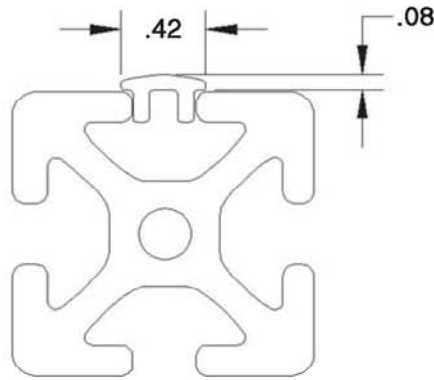
- HOLDS PANELS TIGHT
- RATTLE PROOF
- INSERTS AFTER PANEL IS INSTALLED
- GRAY SILICONE RUBBER

**25AC7836**  
TWO SIDED EXTERNAL POLYCARBONATE SEAL



- HOLDS PANELS TIGHT
- RATTLE PROOF
- INSERTS BEFORE PANEL IS INSTALLED
- GRAY SILICONE RUBBER

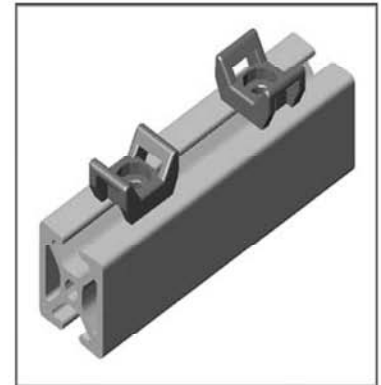
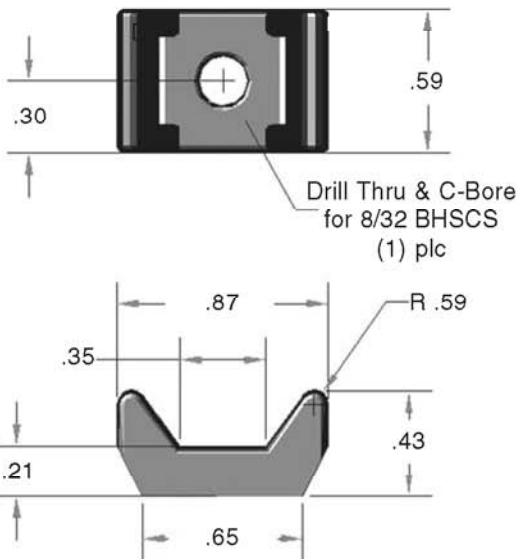
**25AC7828**  
BUMPER COVER



Accessories

- PROTECT EXTRUSION SURFACE
- CLEAN LOOK
- GRAY SILICONE RUBBER

**25AC7309**  
UNIVERSAL CABLE TIE BLOCK

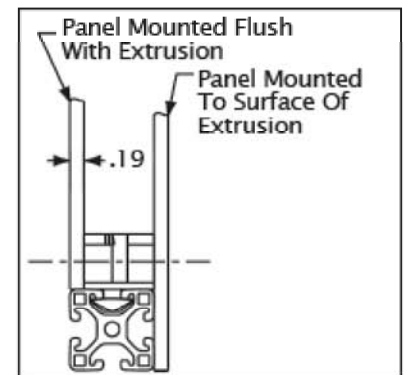
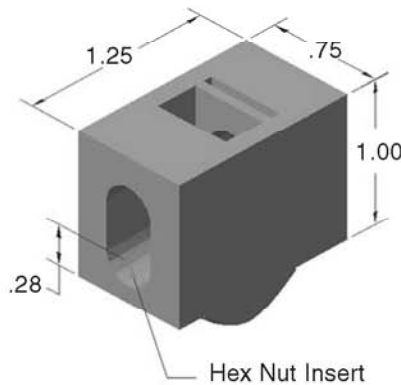


- FIBERGLASS REINFORCED NYLON
- CLEAN LOOK
- NO HOLES TO DRILL
- BLACK IN COLOR

Hardware Included!

**25AC7820**  
1/4 TURN PANEL MOUNT BLOCK  
1/4-20 HARDWARE

**25AC7834**  
1/4 TURN PANEL MOUNT BLOCK  
M6 x 1.00 HARDWARE



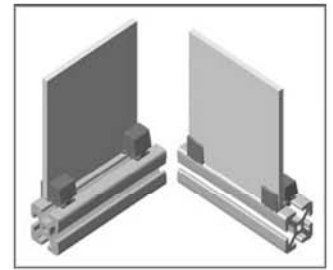
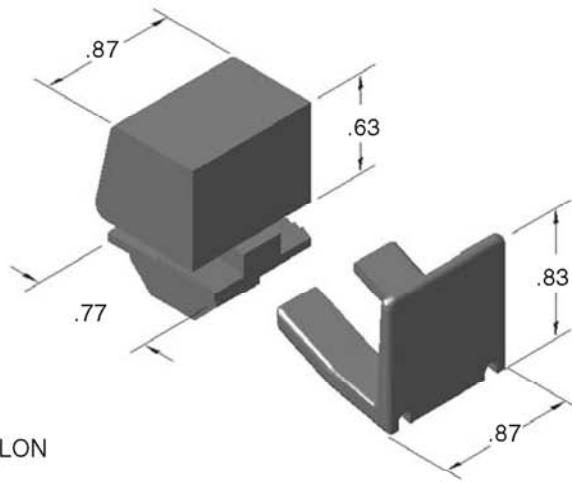
- BOLT KIT INCLUDED FOR PANEL MOUNTING
- BLACK HIGH STRENGTH NYLON
- USED FOR FLUSH PANEL MOUNTING
- ECONOMICAL

To calculate panel size, subtract .13" from your inside width and inside length.

**25AC7830**  
PANEL RETAINING CLIP BLOCK



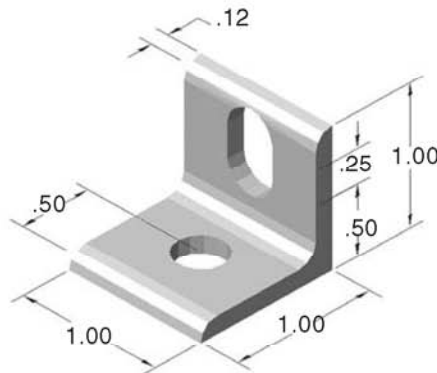
To calculate panel size,  
subtract .45" from your inside  
width and inside length.



- NO HARDWARE REQUIRED
- BLACK FIBERGLASS REINFORCED NYLON
- MOUNTS PANELS, TACK BOARDS, ETC...
- ECONOMICAL

See page 255  
for clip block  
disassembly tool  
13AC1600

**25AC7972**  
PANEL MOUNT BRACKET

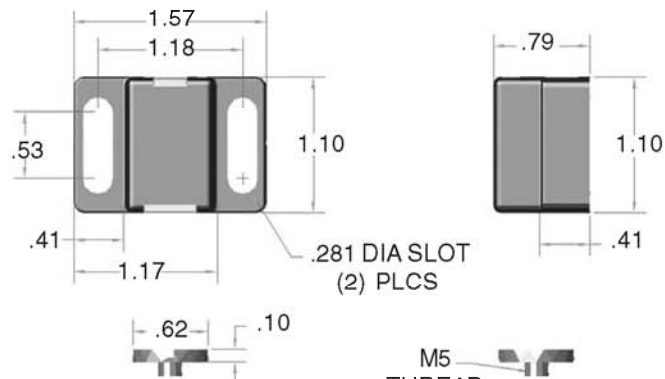


- STRONG, BUT ECONOMICAL
- EASY TO ADJUST
- FLUSH MOUNT FOR 3/16" PANELS

**25AC7974**  
MAGNETIC DOOR CATCH



Hardware  
Included!



- QUICK LOCKING
- ADAPTABLE TO THE THCKNESS OF PLASTIC
- BLACK FIBERGLASS REINFORCED NYLON

# SECTION 25

## 25 SERIES

### LINEAR MOTION

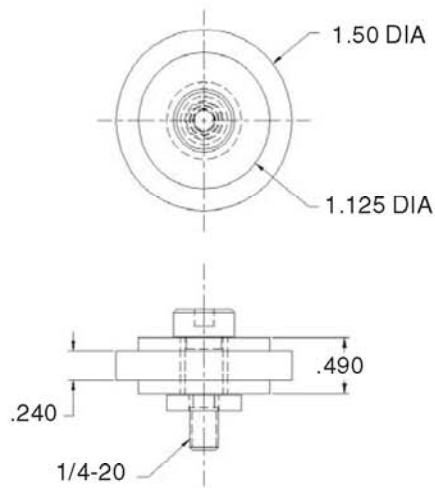
#### ROLLER WHEELS



## 25LM8426 ROLLER WHEEL

Hardware  
Included!

- Self lubricating bronze bushing
- Made of high strength black nylontron



### IDEAL APPLICATIONS

- Sliding Doors
- Moveable Gates

