

SECTION 22

25 SERIES

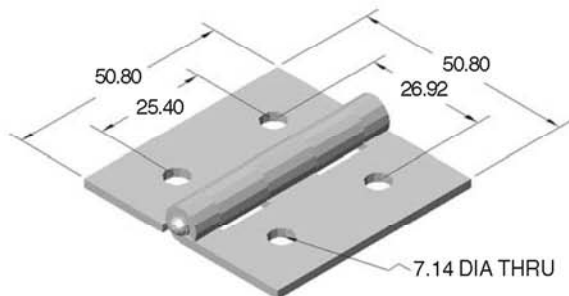
DOOR HINGES

DOOR HINGES BUTT & LIFT-OFF HINGES



25HI8230

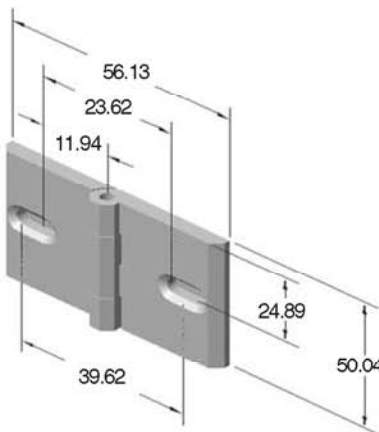
HEAVY DUTY DOOR HINGE



- Steel with Black Oxide Finish
- Used for Heavy Duty Door Applications

25HI8234

HEAVY DUTY HINGE

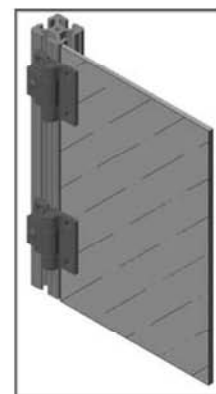
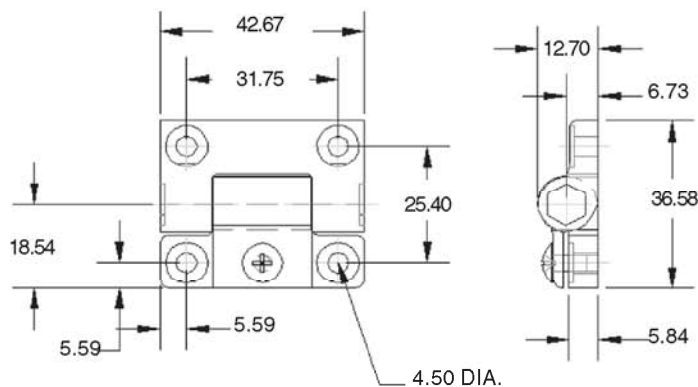


- Steel with Black Oxide Finish
- Used for Heavy Duty Door Applications

25HI8238

ADJUSTABLE PLASTIC HINGE

Used to hang an unframed panel on an extrusion frame!

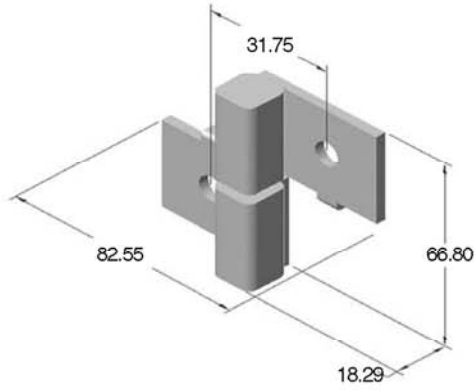


- Bolt Kit Included For Panel & Extrusion Mounting
- Black acetal with polycarbonate pin

Should not be used to hinge two extrusions together!

25HI8242

IN-LINE LIFT-OFF HINGE



- Steel Hinge Assembly
- Steel Backing Plate with Black Oxide Finish

