

SECTION 19

25 SERIES

MOUNTING BRACKETS

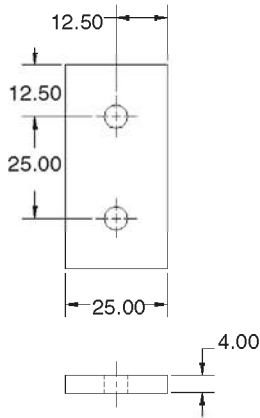
CORNER BRACKETS



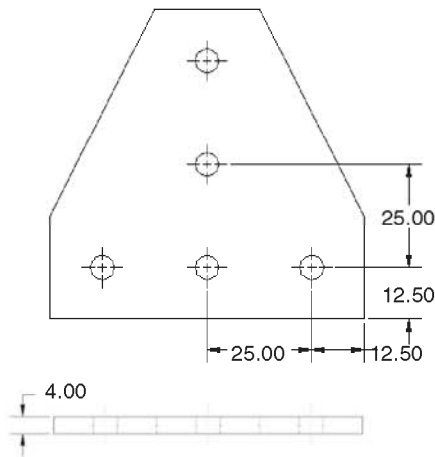
BOLT PATTERN DIMENSIONS

25 Series Dimensions (mm)
 The following patterns are for all
 Joining Plates and Inside Corner Brackets

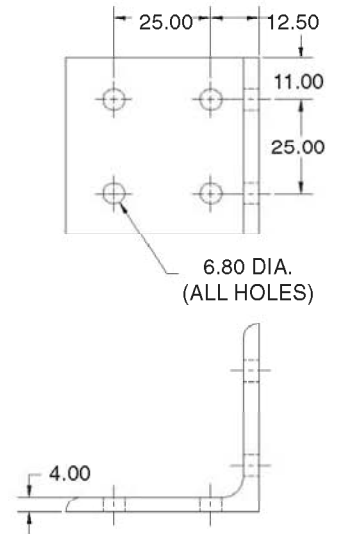
Joining Strips



Joining Plates



Corner Brackets



All Joining Plates and Corner Brackets are made from 6061-T6 clear anodized aluminum

Don't Let



OSHA

Catch You

With



Your Guarding

Down!

- 2D & 3D CAD Support
- Full Inventory of Products
- Completely Modular

- FAST Shipments!

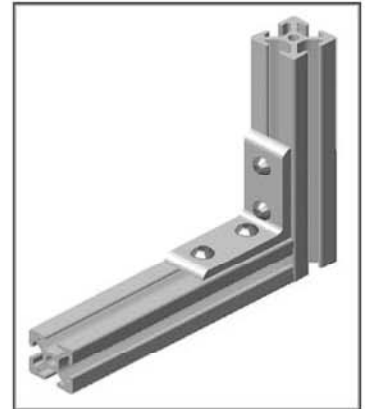
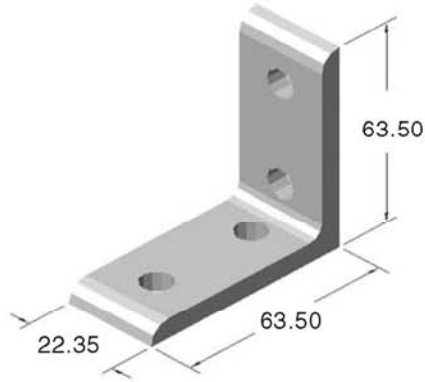


- Free Design Assistance

- Made in the USA
- Free Kit Packaging
- Competitive Pricing

25CB4347

4 HOLE INSIDE CORNER BRACKET



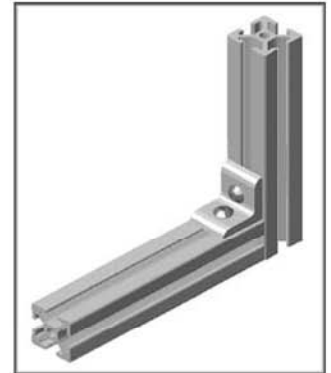
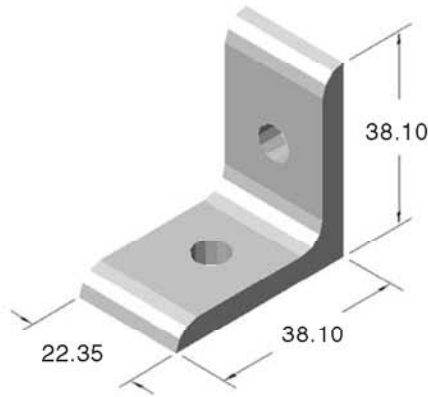
RECOMMENDED HARDWARE

QTY	DESCRIPTION	PART #
4	1/4-20 x 1/2 BHSCS	13FA3300
4	1/4-20 ECONOMY T-NUT	10FA3121

For additional fasteners and t-nuts, see pages 365-368

25CB4355

2 HOLE INSIDE CORNER BRACKET



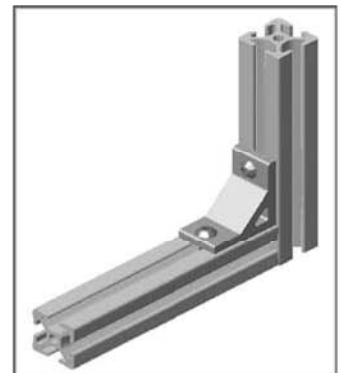
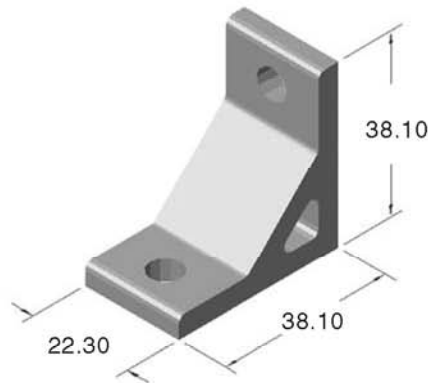
RECOMMENDED HARDWARE

QTY	DESCRIPTION	PART #
2	1/4-20 x 1/2 BHSCS	13FA3300
2	1/4-20 ECONOMY T-NUT	10FA3121

For additional fasteners and t-nuts, see pages 365-368

25CB4348

2 HOLE INSIDE GUSSET CORNER BRACKET



RECOMMENDED HARDWARE

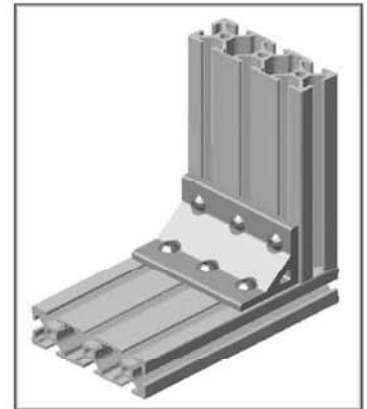
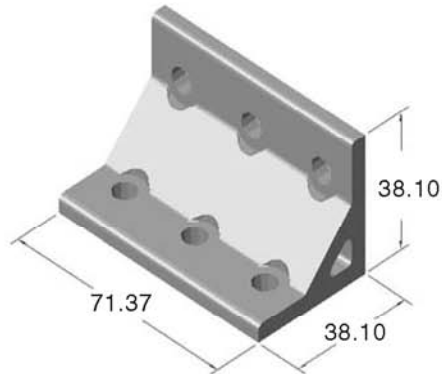
QTY	DESCRIPTION	PART #
2	1/4-20 x 1/2 BHSCS	13FA3300
2	1/4-20 ECONOMY T-NUT	10FA3121

For additional fasteners and t-nuts, see pages 365-368

Brackets

25CB4349

6 HOLE INSIDE GUSSET CORNER BRACKET



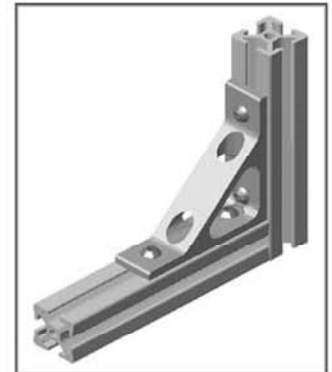
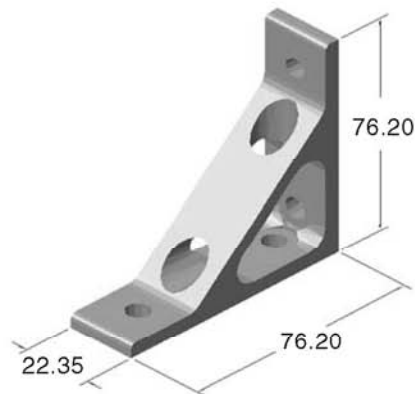
RECOMMENDED HARDWARE

QTY	DESCRIPTION	PART #
6	1/4-20 x 1/2 BHSCS	13FA3300
6	1/4-20 ECONOMY T-NUT	10FA3121

For additional fasteners and t-nuts, see pages 365-368

25CB4350

4 HOLE INSIDE GUSSET CORNER BRACKET



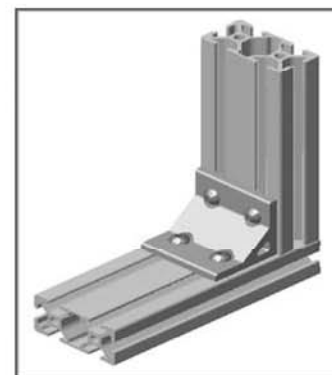
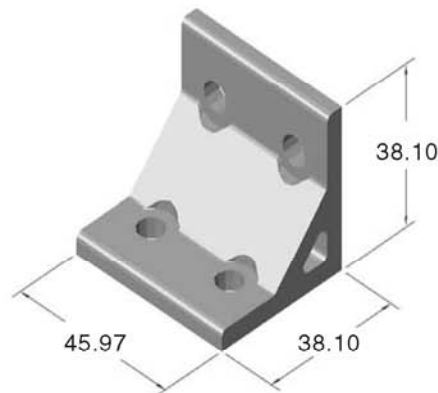
RECOMMENDED HARDWARE

QTY	DESCRIPTION	PART #
4	1/4-20 x 1/2 BHSCS	13FA3300
4	1/4-20 ECONOMY T-NUT	10FA3121

For additional fasteners and t-nuts, see pages 365-368

25CB4351

4 HOLE INSIDE CORNER BRACKET



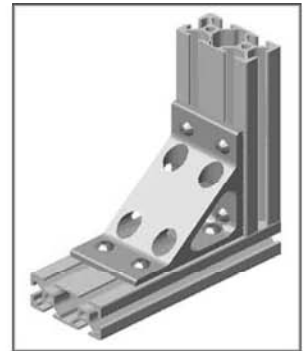
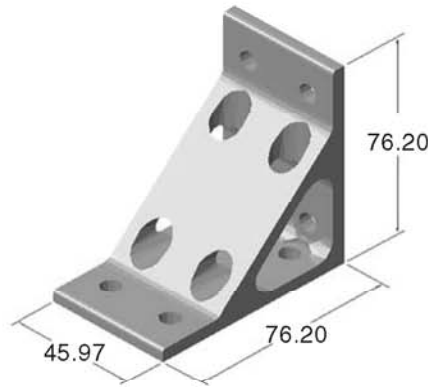
RECOMMENDED HARDWARE

QTY	DESCRIPTION	PART #
4	1/4-20 x 1/2 BHSCS	13FA3300
4	1/4-20 ECONOMY T-NUT	10FA3121

For additional fasteners and t-nuts, see pages 365-368

25CB4352

8 HOLE INSIDE GUSSET CORNER BRACKET



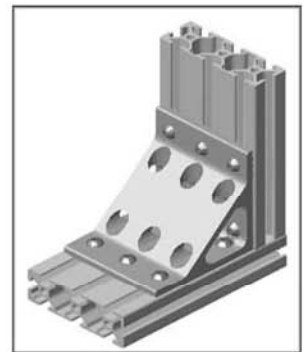
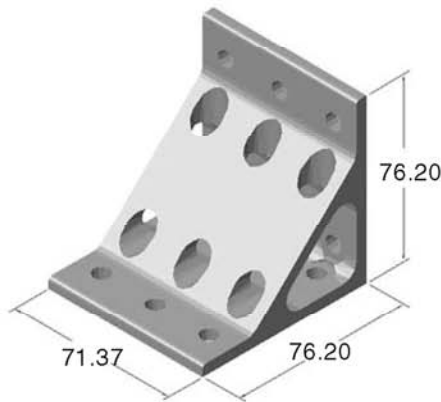
RECOMMENDED HARDWARE

QTY	DESCRIPTION	PART #
8	1/4-20 x 1/2 BHSCS	13FA3300
8	1/4-20 ECONOMY T-NUT	10FA3121

For additional fasteners and t-nuts, see pages 365-368

25CB4353

12 HOLE INSIDE GUSSET CORNER BRACKET



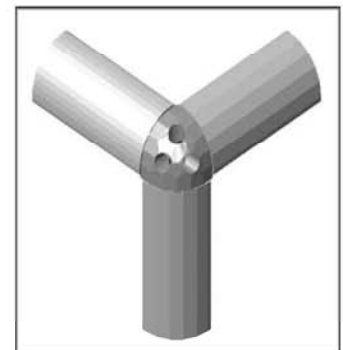
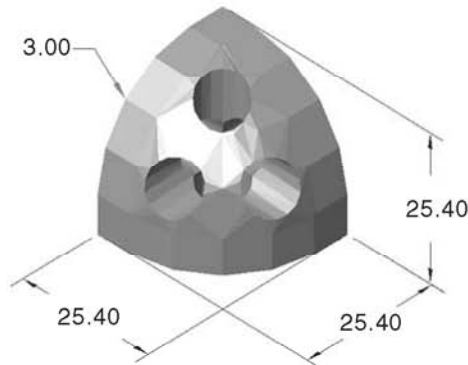
RECOMMENDED HARDWARE

QTY	DESCRIPTION	PART #
12	1/4-20 x 1/2 BHSCS	13FA3300
12	1/4-20 ECONOMY T-NUT	10FA3121

For additional fasteners and t-nuts, see pages 365-368

25CB4356

QUARTER ROUND TRI-CORNER BRACKET



RECOMMENDED HARDWARE

QTY	DESCRIPTION	PART #
3	1/4-20 x 1 LHSCS	13FA3362

For additional fasteners and t-nuts, see pages 365-368

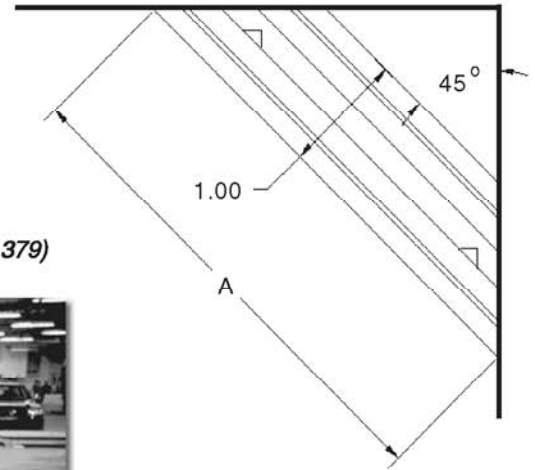
Brackets

45° SUPPORTS

Hardware Included!



- Great For Strong Right Angles
- We Make Custom 45° Supports (See Page 379)



Extrusion	Length A	Mounting Hardware (Included)	Part #
25QE2525	6.00"	(2) 1/4x5/8 SHCS, Washer, & Econo T-nut	25SP1801
25QE2525	12.00"	(2) 1/4x5/8 SHCS, Washer, & Econo T-nut	25SP1802
25QE2525	18.00"	(2) 1/4x5/8 SHCS, Washer, & Econo T-nut	25SP1803



Welcome To The Shape Of Things To Come!

