

SECTION 11

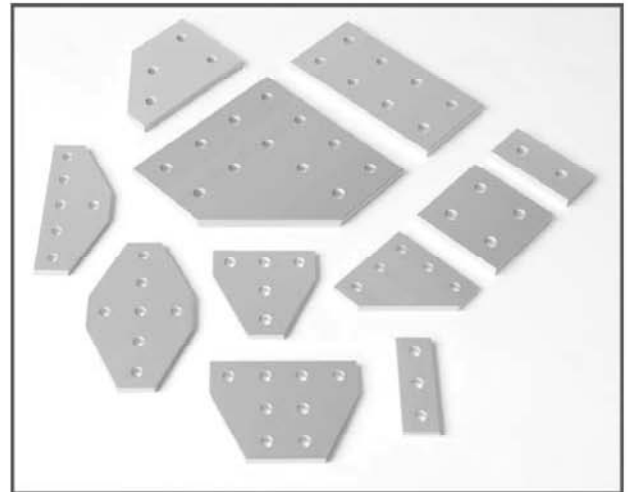
10 SERIES

MOUNTING BRACKETS

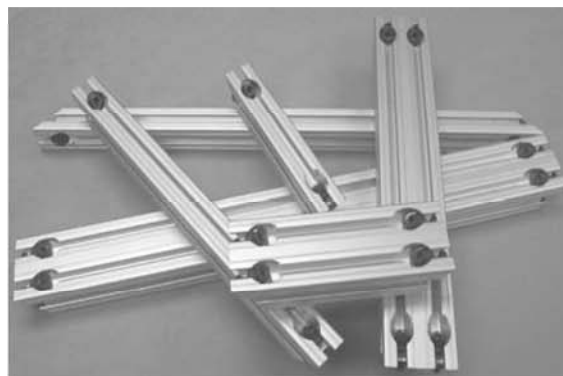
CORNER BRACKETS



JOINING PLATES



45° SUPPORTS

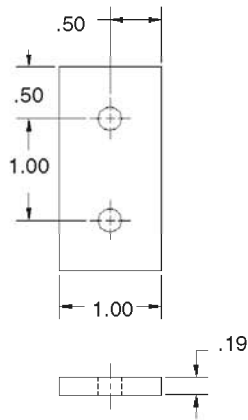


BOLT PATTERN DIMENSIONS

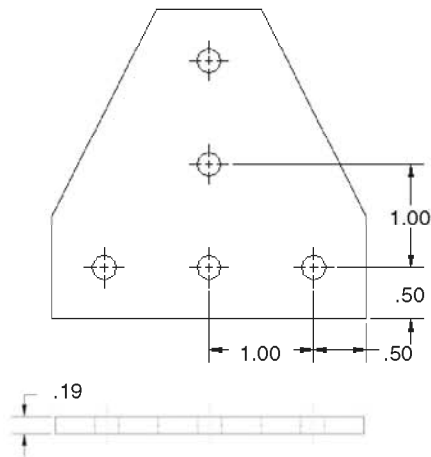
10 Series Dimensions

The following patterns are for all Joining Plates and Inside Corner Brackets

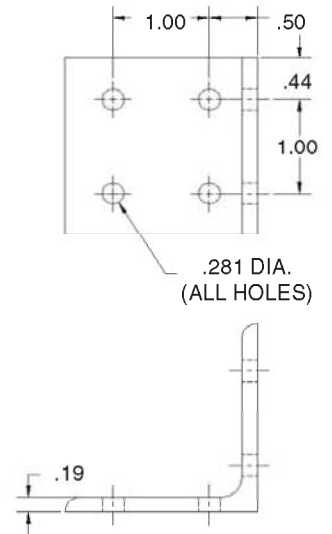
Joining Strips



Joining Plates



Corner Brackets



All Joining Plates and Corner Brackets are made from 6061-T6 clear anodized aluminum

Don't Let



OSHA

Catch You

With



Your Guarding

Down!

- 2D & 3D CAD Support
- Full Inventory of Products
- Completely Modular

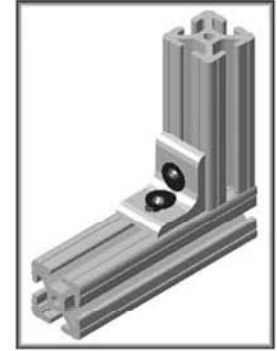
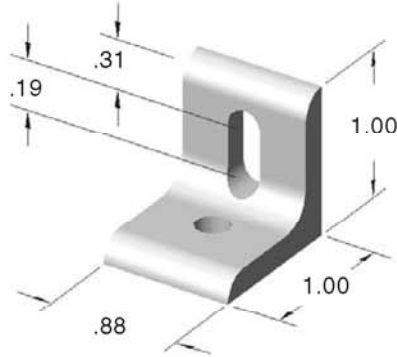


- FAST Shipments!
- Ergonomic
- Free Design Assistance
- Competitive Pricing

- Made in the USA
- Free Kit Packaging

10CB4221

10 SERIES
2 HOLE SLOTTED INSIDE CORNER BRACKET



Part Wt: .025 lbs

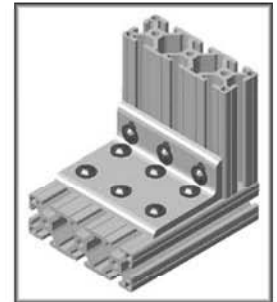
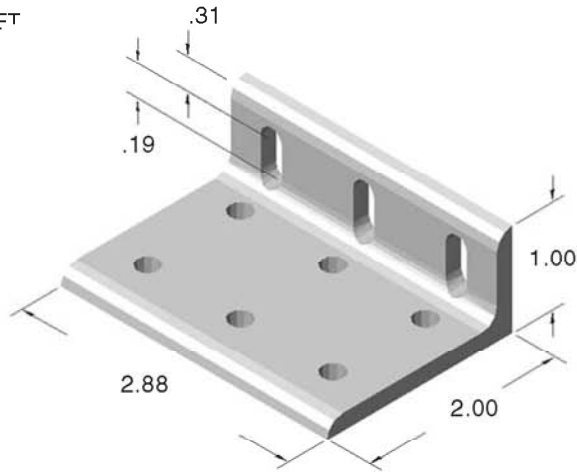
RECOMMENDED HARDWARE

QTY	DESCRIPTION	PART #
2	1/4-20 x 1/2 BHSCS	13FA3300
2	1/4-20 ECONOMY T-NUT	10FA3121

For additional fasteners and t-nuts, see pages 300-303

10CB4222

10 SERIES
9 HOLE SLOTTED INSIDE CORNER BRACKET



Part Wt: .130 lbs

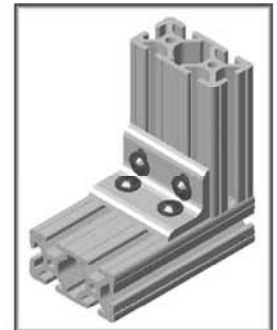
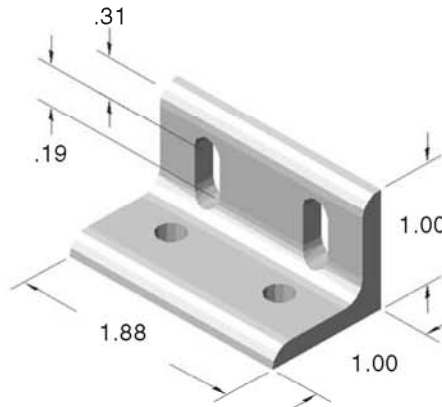
RECOMMENDED HARDWARE

QTY	DESCRIPTION	PART #
9	1/4-20 x 1/2 BHSCS	13FA3300
9	1/4-20 ECONOMY T-NUT	10FA3121

For additional fasteners and t-nuts, see pages 300-303

10CB4223

10 SERIES
4 HOLE SLOTTED INSIDE CORNER BRACKET



Part Wt: .055 lbs

RECOMMENDED HARDWARE

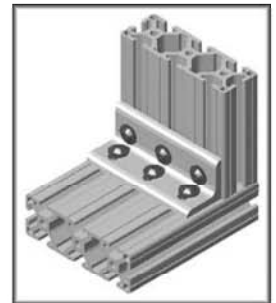
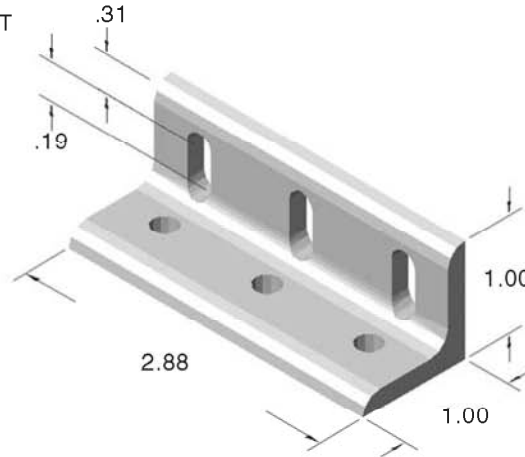
QTY	DESCRIPTION	PART #
4	1/4-20 x 1/2 BHSCS	13FA3300
4	1/4-20 ECONOMY T-NUT	10FA3121

For additional fasteners and t-nuts, see pages 300-303

10CB4224

10 SERIES
6 HOLE SLOTTED INSIDE CORNER BRACKET

FOR FAST ASSEMBLY
USE 10FA3122

Part Wt: .085 lbs

RECOMMENDED HARDWARE

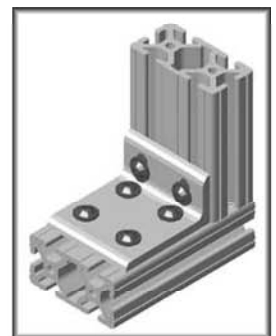
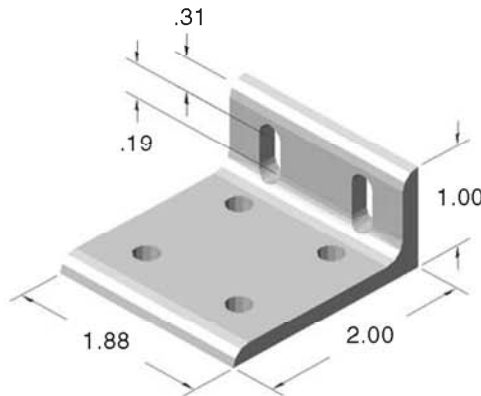
QTY	DESCRIPTION	PART #
6	1/4-20 x 1/2 BHSCS	13FA3300
6	1/4-20 ECONOMY T-NUT	10FA3121

For additional fasteners and t-nuts, see pages 300-303

10CB4225

10 SERIES
6 HOLE SLOTTED INSIDE CORNER BRACKET

FOR FAST ASSEMBLY
USE 10FA3122

Part Wt: .085 lbs

RECOMMENDED HARDWARE

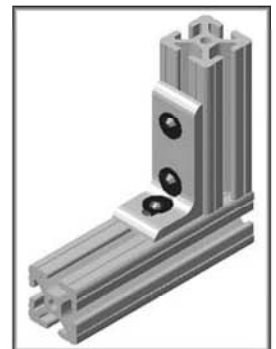
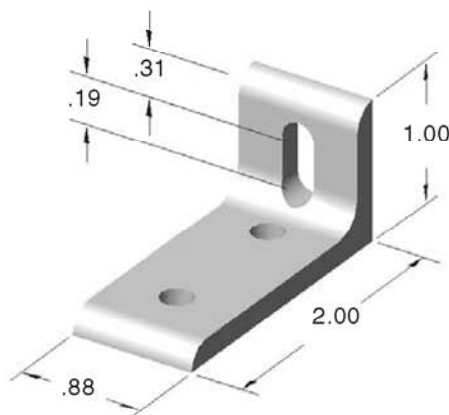
QTY	DESCRIPTION	PART #
6	1/4-20 x 1/2 BHSCS	13FA3300
6	1/4-20 ECONOMY T-NUT	10FA3121

For additional fasteners and t-nuts, see pages 300-303

10CB4226

10 SERIES
3 HOLE SLOTTED INSIDE CORNER BRACKET

FOR FAST ASSEMBLY
USE 10FA3122

Part Wt: .040 lbs

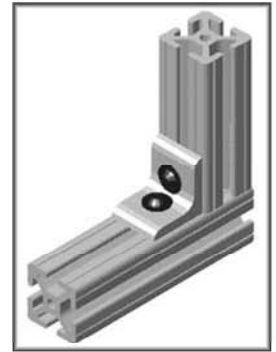
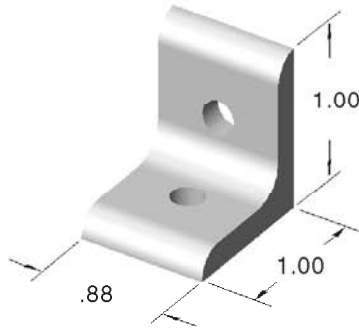
RECOMMENDED HARDWARE

QTY	DESCRIPTION	PART #
3	1/4-20 x 1/2 BHSCS	13FA3300
3	1/4-20 ECONOMY T-NUT	10FA3121

For additional fasteners and t-nuts, see pages 300-303

10CB4100

10 SERIES
2 HOLE INSIDE CORNER BRACKET



Part Wt: .025 lbs

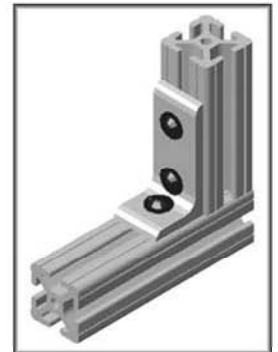
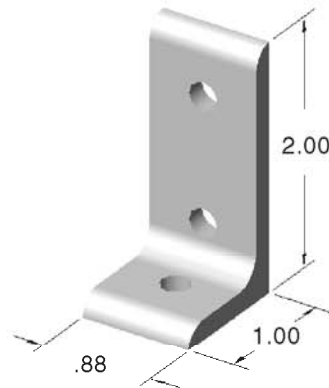
RECOMMENDED HARDWARE

QTY	DESCRIPTION	PART #
2	1/4-20 x 1/2 BHSCS	13FA3300
2	1/4-20 ECONOMY T-NUT	10FA3121

For additional fasteners and t-nuts, see pages 300-303

10CB4102

10 SERIES
3 HOLE INSIDE CORNER BRACKET



Part Wt: .040 lbs

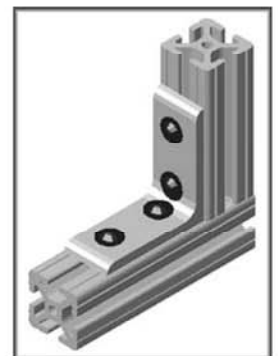
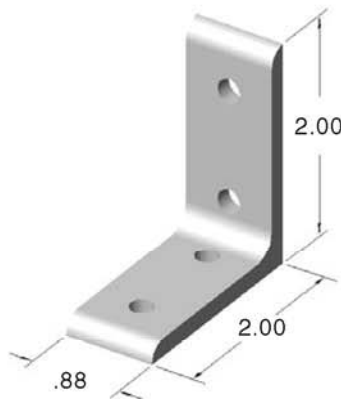
RECOMMENDED HARDWARE

QTY	DESCRIPTION	PART #
3	1/4-20 x 1/2 BHSCS	13FA3300
3	1/4-20 ECONOMY T-NUT	10FA3121

For additional fasteners and t-nuts, see pages 300-303

10CB4103

10 SERIES
4 HOLE INSIDE CORNER BRACKET



Part Wt: .055 lbs

RECOMMENDED HARDWARE

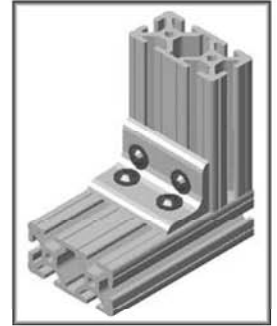
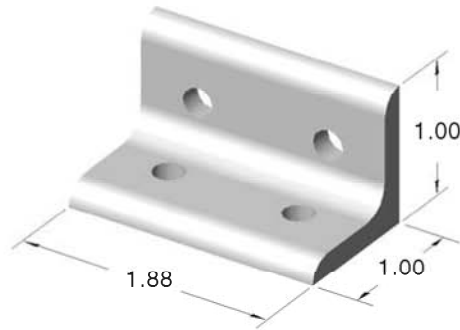
QTY	DESCRIPTION	PART #
4	1/4-20 x 1/2 BHSCS	13FA3300
4	1/4-20 ECONOMY T-NUT	10FA3121

For additional fasteners and t-nuts, see pages 300-303

10CB4104

10 SERIES
4 HOLE CENTER INSIDE CORNER BRACKET

FOR FAST ASSEMBLY
USE 10FA3122



Part Wt: .055 lbs

RECOMMENDED HARDWARE

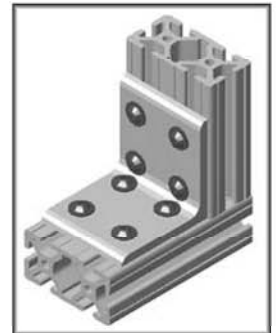
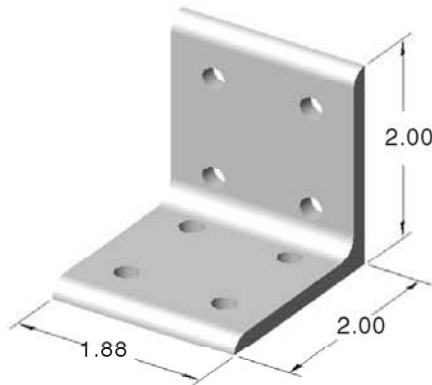
QTY	DESCRIPTION	PART #
4	1/4-20 x 1/2 BHSCS	13FA3300
4	1/4-20 ECONOMY T-NUT	10FA3121

For additional fasteners and t-nuts, see pages 300-303

10CB4106

10 SERIES
8 HOLE RIGHT INSIDE CORNER BRACKET

FOR FAST ASSEMBLY
USE 10FA3122



Part Wt: .120 lbs

RECOMMENDED HARDWARE

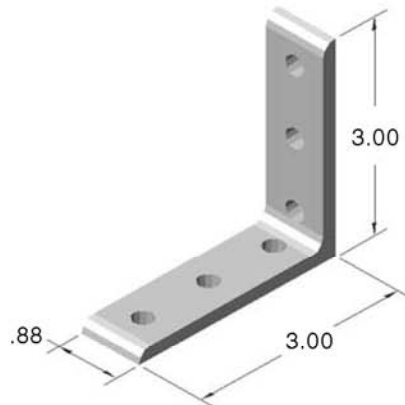
QTY	DESCRIPTION	PART #
8	1/4-20 x 1/2 BHSCS	13FA3300
8	1/4-20 ECONOMY T-NUT	10FA3121

For additional fasteners and t-nuts, see pages 300-303

10CB4110

10 SERIES
6 HOLE INSIDE CORNER BRACKET

FOR FAST ASSEMBLY
USE 10FA3122



Part Wt: .085 lbs

RECOMMENDED HARDWARE

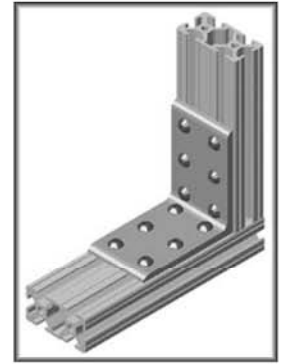
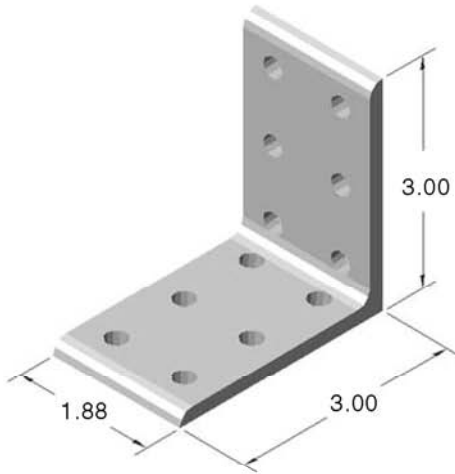
QTY	DESCRIPTION	PART #
6	1/4-20 x 1/2 BHSCS	13FA3300
6	1/4-20 ECONOMY T-NUT	10FA3121

For additional fasteners and t-nuts, see pages 300-303

10CB4111

10 SERIES
12 HOLE CORNER BRACKET

FOR FAST ASSEMBLY
USE 10FA3122



Part Wt: .180 lbs

RECOMMENDED HARDWARE

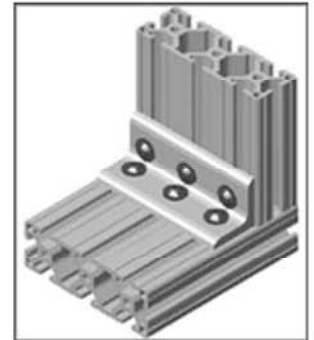
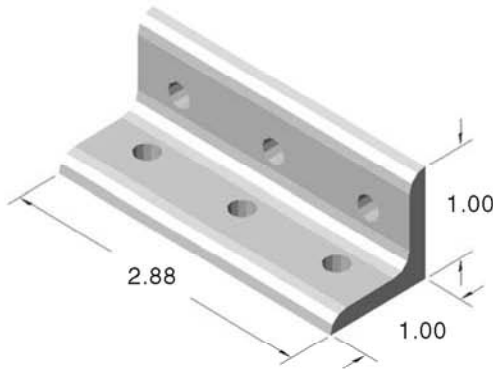
QTY	DESCRIPTION	PART #
12	1/4-20 x 1/2 BHSCS	13FA3300
12	1/4-20 ECONOMY T-NUT	10FA3121

For additional fasteners and t-nuts, see pages 300-303

10CB4112

10 SERIES
6 HOLE INSIDE CORNER BRACKET

FOR FAST ASSEMBLY
USE 10FA3122



Part Wt: .085 lbs

RECOMMENDED HARDWARE

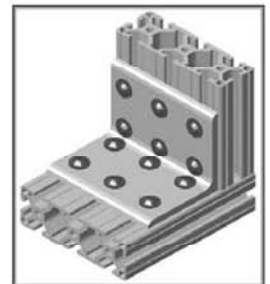
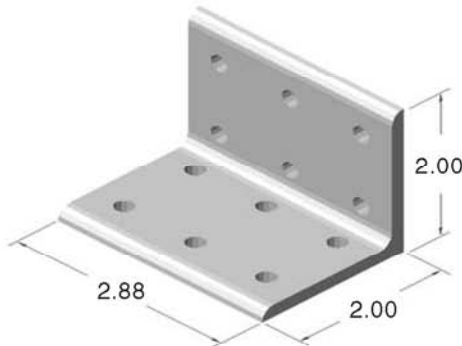
QTY	DESCRIPTION	PART #
6	1/4-20 x 1/2 BHSCS	13FA3300
6	1/4-20 ECONOMY T-NUT	10FA3121

For additional fasteners and t-nuts, see pages 300-303

10CB4113

10 SERIES
12 HOLE INSIDE CORNER BRACKET

FOR FAST ASSEMBLY
USE 10FA3122



Part Wt: .185 lbs

RECOMMENDED HARDWARE

QTY	DESCRIPTION	PART #
12	1/4-20 x 1/2 BHSCS	13FA3300
12	1/4-20 ECONOMY T-NUT	10FA3121

For additional fasteners and t-nuts, see pages 300-303

10CB4114

10 SERIES
18 HOLE INSIDE CORNER BRACKET

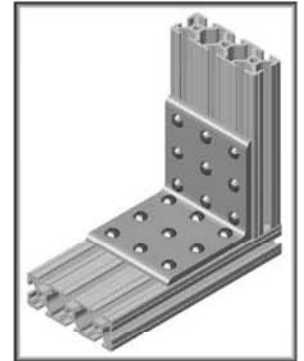
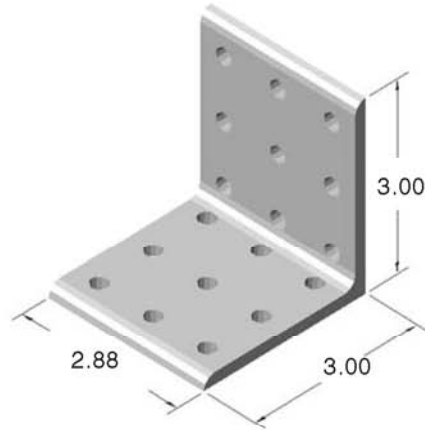


FOR FAST ASSEMBLY
USE 10FA3122

RECOMMENDED HARDWARE

QTY	DESCRIPTION	PART #
18	1/4-20 x 1/2 BHSCS	13FA3300
18	1/4-20 ECONOMY T-NUT	10FA3121

For additional fasteners and t-nuts, see pages 300-303



Part Wt: .290 lbs

10CB4115

10 SERIES
10 HOLE CENTER INSIDE CORNER BRACKET

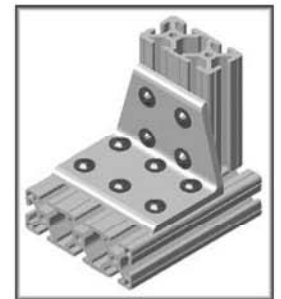
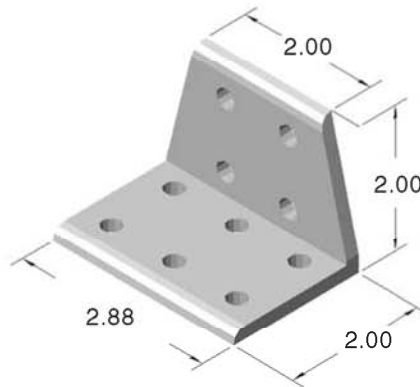


FOR FAST ASSEMBLY
USE 10FA3122

RECOMMENDED HARDWARE

QTY	DESCRIPTION	PART #
10	1/4-20 x 1/2 BHSCS	13FA3300
10	1/4-20 ECONOMY T-NUT	10FA3121

For additional fasteners and t-nuts, see pages 300-303



Part Wt: .170 lbs

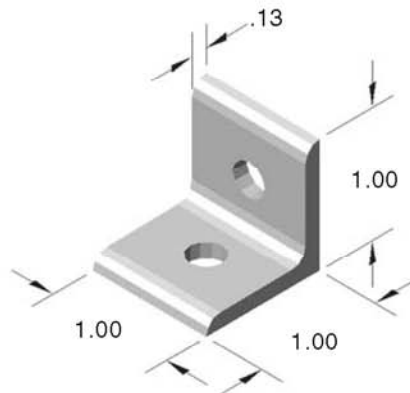
10CB4116

10 SERIES
2 HOLE INSIDE CORNER BRACKET

RECOMMENDED HARDWARE

QTY	DESCRIPTION	PART #
2	1/4-20 x 3/8 FBHSCS	13FA3308
2	1/4-20 ECONOMY T-NUT	10FA3121

For additional fasteners and t-nuts, see pages 300-303



Part Wt: .020 lbs

10CB4117

10 SERIES
6 HOLE CENTER INSIDE CORNER BRACKET

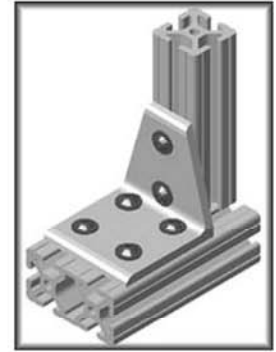
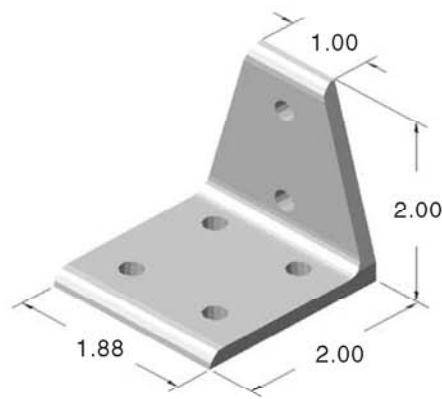
FOR FAST ASSEMBLY
USE 10FA3122



RECOMMENDED HARDWARE

QTY	DESCRIPTION	PART #
6	1/4-20 x 1/2 BHSCS	13FA3300
6	1/4-20 ECONOMY T-NUT	10FA3121

For additional fasteners and t-nuts, see pages 300-303



Part Wt: .110 lbs

10CB4118

10 SERIES
6 HOLE RIGHT INSIDE CORNER BRACKET

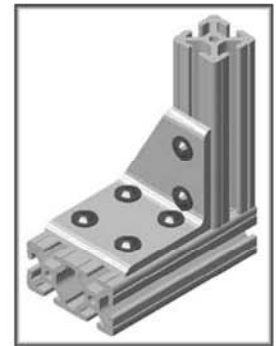
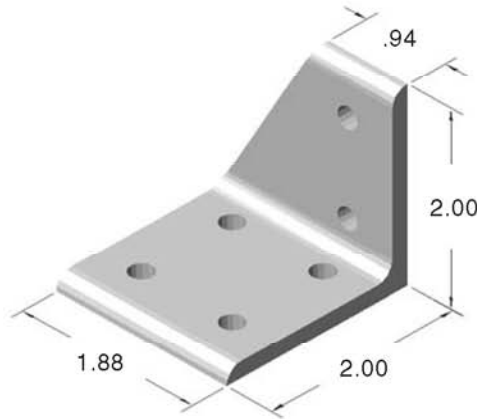
FOR FAST ASSEMBLY
USE 10FA3122



RECOMMENDED HARDWARE

QTY	DESCRIPTION	PART #
6	1/4-20 x 1/2 BHSCS	13FA3300
6	1/4-20 ECONOMY T-NUT	10FA3121

For additional fasteners and t-nuts, see pages 300-303



Part Wt: .110 lbs

10CB4119

10 SERIES
6 HOLE LEFT INSIDE CORNER BRACKET

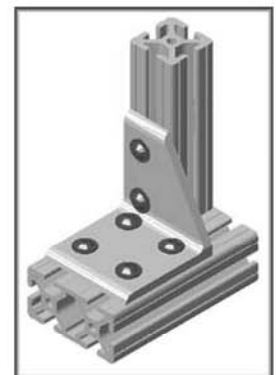
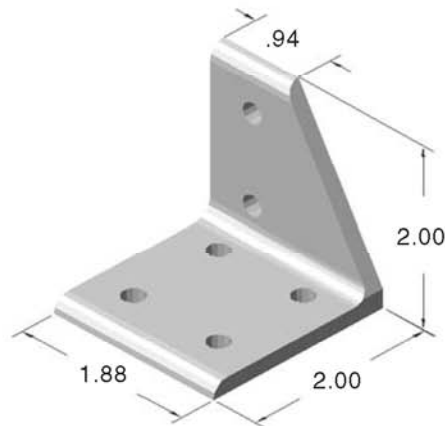
FOR FAST ASSEMBLY
USE 10FA3122



RECOMMENDED HARDWARE

QTY	DESCRIPTION	PART #
6	1/4-20 x 1/2 BHSCS	13FA3300
6	1/4-20 ECONOMY T-NUT	10FA3121

For additional fasteners and t-nuts, see pages 300-303



Part Wt: .110 lbs

10CB4121

10 SERIES
6 HOLE INSIDE CORNER BRACKET

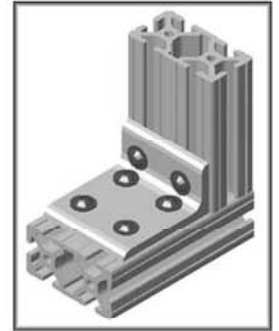
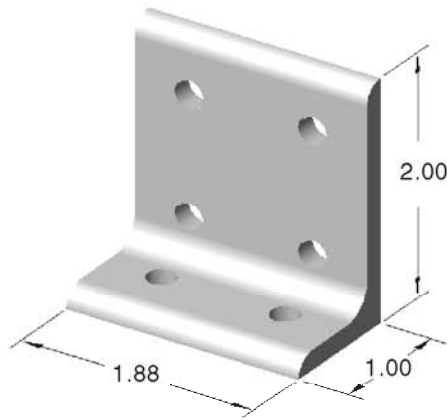


FOR FAST ASSEMBLY
USE 10FA3122

RECOMMENDED HARDWARE

QTY	DESCRIPTION	PART #
6	1/4-20 x 1/2 BHSCS	13FA3300
6	1/4-20 ECONOMY T-NUT	10FA3121

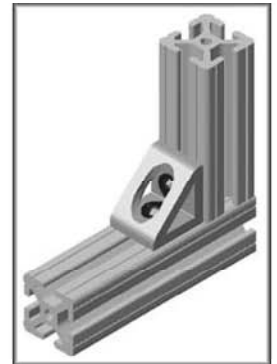
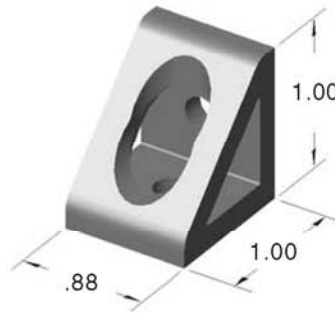
For additional fasteners and t-nuts, see pages 300-303



Part Wt: .085 lbs

10CB4101

10 SERIES
2 HOLE INSIDE GUSSET CORNER BRACKET



Part Wt: .035 lbs

RECOMMENDED HARDWARE

QTY	DESCRIPTION	PART #
6	1/4-20 x 1/2 BHSCS	13FA3300
6	1/4-20 ECONOMY T-NUT	10FA3121

For additional fasteners and t-nuts, see pages 300-303

Strongest of all
corner brackets!

10CB4105

10 SERIES
4 HOLE INSIDE GUSSET CORNER BRACKET

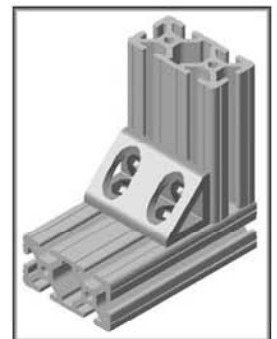
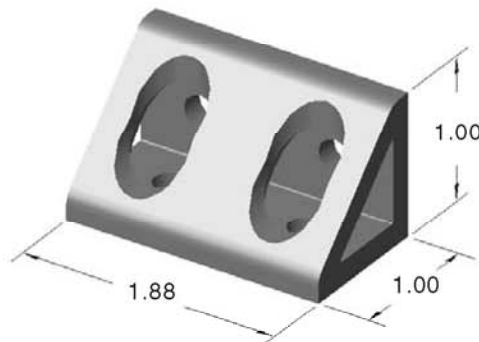


FOR FAST ASSEMBLY
USE 10FA3122

RECOMMENDED HARDWARE

QTY	DESCRIPTION	PART #
4	1/4-20 x 1/2 BHSCS	13FA3300
4	1/4-20 ECONOMY T-NUT	10FA3121

For additional fasteners and t-nuts, see pages 300-303



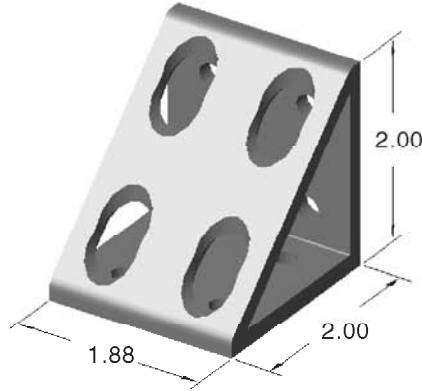
Part Wt: .075 lbs

Strongest of all
corner brackets!

10CB4107

10 SERIES
8 HOLE INSIDE GUSSET CORNER BRACKET

FOR FAST ASSEMBLY
USE 10FA3122



Part Wt: .180 lbs

RECOMMENDED HARDWARE

QTY	DESCRIPTION	PART #
8	1/4-20 x 1/2 BHSCS	13FA3300
8	1/4-20 ECONOMY T-NUT	10FA3121

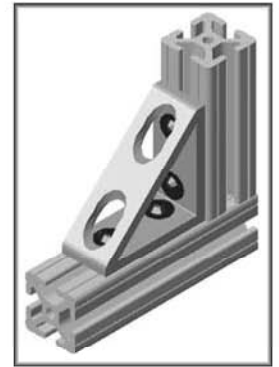
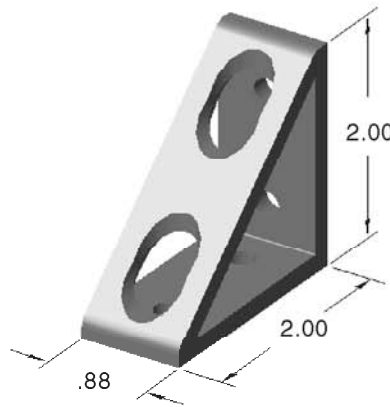
For additional fasteners and t-nuts, see pages 300-303

Strongest of all corner brackets!

10CB4108

10 SERIES
4 HOLE INSIDE GUSSET CORNER BRACKET

FOR FAST ASSEMBLY
USE 10FA3122



Part Wt: .080 lbs

RECOMMENDED HARDWARE

QTY	DESCRIPTION	PART #
4	1/4-20 x 1/2 BHSCS	13FA3300
4	1/4-20 ECONOMY T-NUT	10FA3121

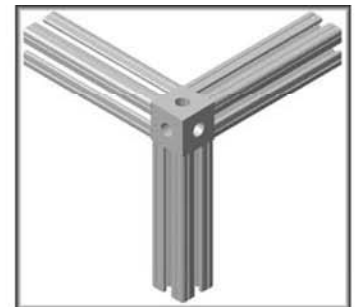
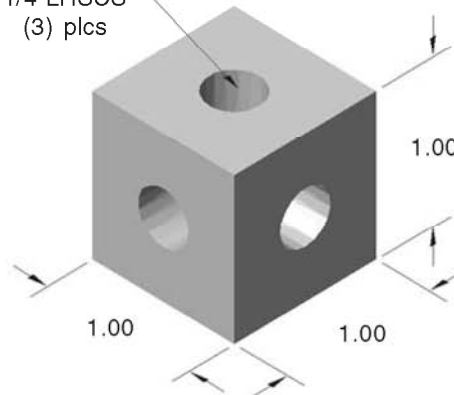
For additional fasteners and t-nuts, see pages 300-303

Strongest of all corner brackets!

10CB4120

10 SERIES
SQUARE TRI - CORNER BRACKET

Drill thru & C-Bore for
1/4 LHSCS
(3) plcs



Part Wt: .075 lbs

RECOMMENDED HARDWARE

QTY	DESCRIPTION	PART #
3	1/4-20 x 1 LHSCS	13FA3362

For additional fasteners and t-nuts, see pages 300-303

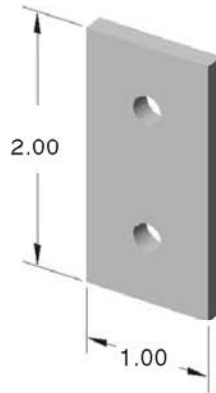
• Tapping service for 10EX1010 on page 324

10JP4201

10 SERIES
2 HOLE JOINING PLATE



FOR FAST ASSEMBLY
USE 10FA3122



Part Wt: .030 lbs

RECOMMENDED HARDWARE

QTY	DESCRIPTION	PART #
2	1/4-20 x 1/2 FBHSCS	13FA3309
2	1/4-20 ECONOMY T-NUT	10FA3121

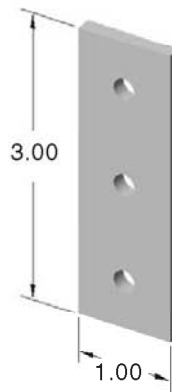
For additional fasteners and t-nuts, see pages 300-303

10JP4202

10 SERIES
3 HOLE JOINING PLATE



FOR FAST ASSEMBLY
USE 10FA3122



Part Wt: .045 lbs

RECOMMENDED HARDWARE

QTY	DESCRIPTION	PART #
3	1/4-20 x 1/2 FBHSCS	13FA3309
3	1/4-20 ECONOMY T-NUT	10FA3121

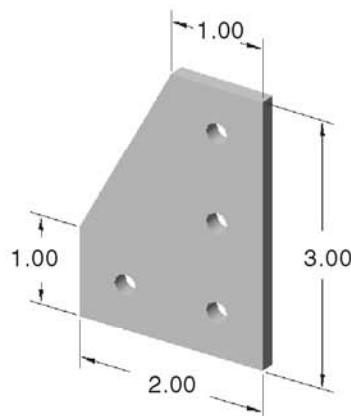
For additional fasteners and t-nuts, see pages 300-303

10JP4203

10 SERIES
4 HOLE 90° JOINING PLATE



FOR FAST ASSEMBLY
USE 10FA3122



Part Wt: .085 lbs

RECOMMENDED HARDWARE

QTY	DESCRIPTION	PART #
4	1/4-20 x 1/2 FBHSCS	13FA3309
4	1/4-20 ECONOMY T-NUT	10FA3121

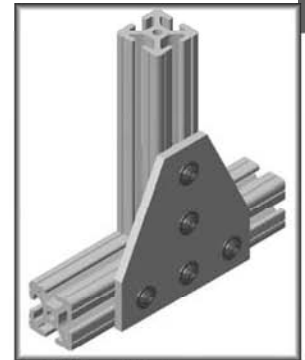
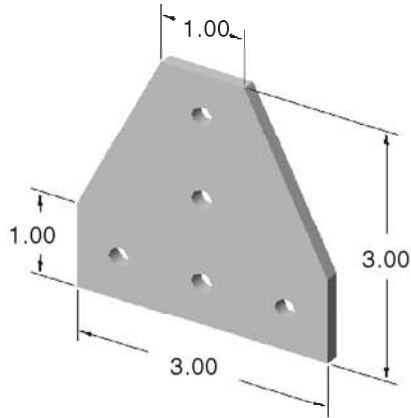
For additional fasteners and t-nuts, see pages 300-303

10JP4204

10 SERIES
5 HOLE TEE JOINING PLATE



FOR FAST ASSEMBLY
USE 10FA3122



Part Wt: .120 lbs

RECOMMENDED HARDWARE

QTY	DESCRIPTION	PART #
5	1/4-20 x 1/2 FBHSCS	13FA3309
5	1/4-20 ECONOMY T-NUT	10FA3121

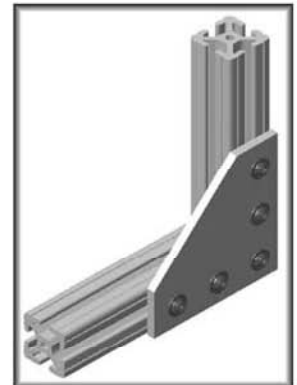
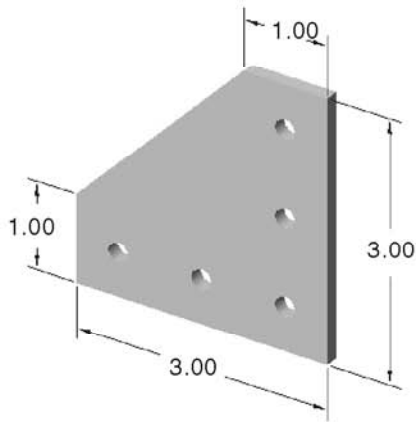
For additional fasteners and t-nuts, see pages 300-303

10JP4205

10 SERIES
5 HOLE 90° JOINING PLATE



FOR FAST ASSEMBLY
USE 10FA3122



Part Wt: .120 lbs

RECOMMENDED HARDWARE

QTY	DESCRIPTION	PART #
5	1/4-20 x 1/2 FBHSCS	13FA3309
5	1/4-20 ECONOMY T-NUT	10FA3121

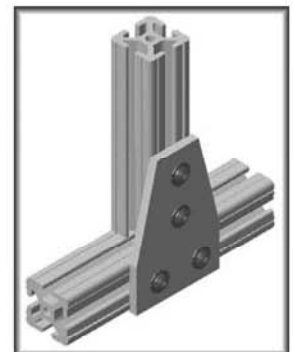
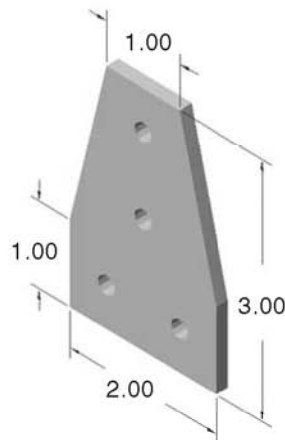
For additional fasteners and t-nuts, see pages 300-303

10JP4207

10 SERIES
4 HOLE TEE JOINING PLATE



FOR FAST ASSEMBLY
USE 10FA3122



Part Wt: .085 lbs

RECOMMENDED HARDWARE

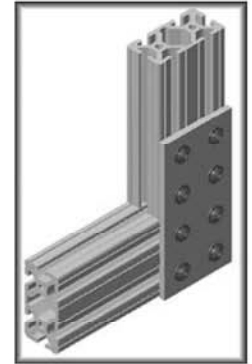
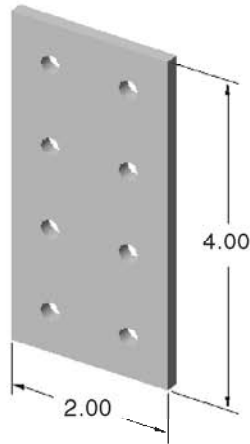
QTY	DESCRIPTION	PART #
4	1/4-20 x 1/2 FBHSCS	13FA3309
4	1/4-20 ECONOMY T-NUT	10FA3121

For additional fasteners and t-nuts, see pages 300-303

10JP4208
10 SERIES
8 HOLE JOINING PLATE



FOR FAST ASSEMBLY
USE 10FA3122



Part Wt: .140 lbs

RECOMMENDED HARDWARE

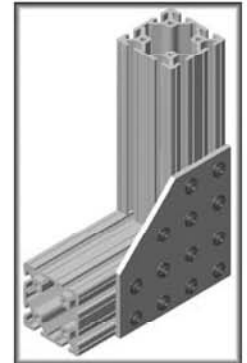
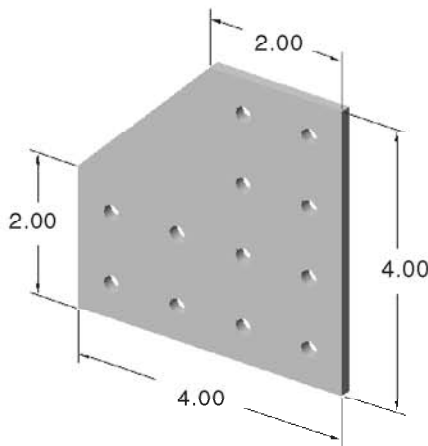
QTY	DESCRIPTION	PART #
8	1/4-20 x 1/2 FBHSCS	13FA3309
8	1/4-20 ECONOMY T-NUT	10FA3121

For additional fasteners and t-nuts, see pages 300-303

10JP4209
10 SERIES
12 HOLE 90° JOINING PLATE



FOR FAST ASSEMBLY
USE 10FA3122



Part Wt: .245 lbs

RECOMMENDED HARDWARE

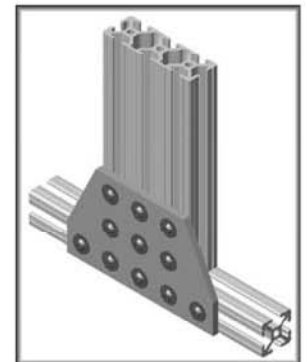
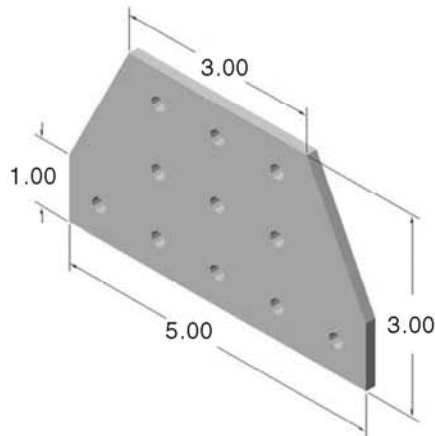
QTY	DESCRIPTION	PART #
12	1/4-20 x 1/2 FBHSCS	13FA3309
12	1/4-20 ECONOMY T-NUT	10FA3121

For additional fasteners and t-nuts, see pages 300-303

10JP4210
10 SERIES
11 HOLE TEE JOINING PLATE



FOR FAST ASSEMBLY
USE 10FA3122



Part Wt: .225 lbs

RECOMMENDED HARDWARE

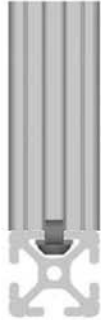
QTY	DESCRIPTION	PART #
11	1/4-20 x 1/2 FBHSCS	13FA3309
11	1/4-20 ECONOMY T-NUT	10FA3121

For additional fasteners and t-nuts, see pages 300-303

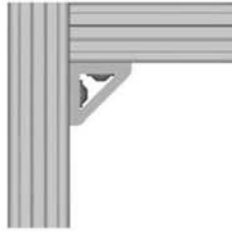
Check out some of our FAST fastening methods!



10 series anchor fasteners
on page 298



10 series end fasteners
on page 306



10 series corner brackets
on pages 267-275



10 series joining plates
on pages 276-284

15 series anchor fasteners
on pages 136-140

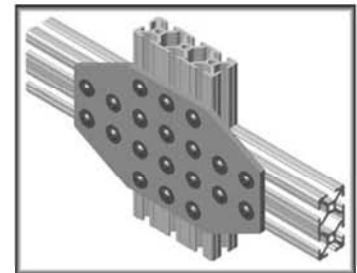
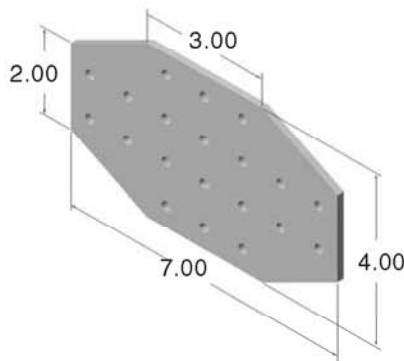
15 series end fasteners
on page 141

15 series corner brackets
on pages 73-87

15 series joining plates
on pages 88-102

10JP4211

10 SERIES
20 HOLE CROSS JOINING PLATE



Part Wt: .415 lbs

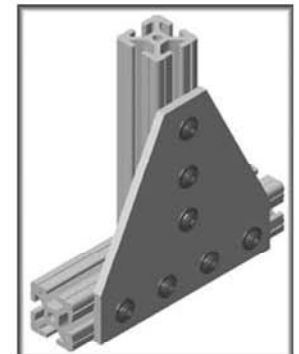
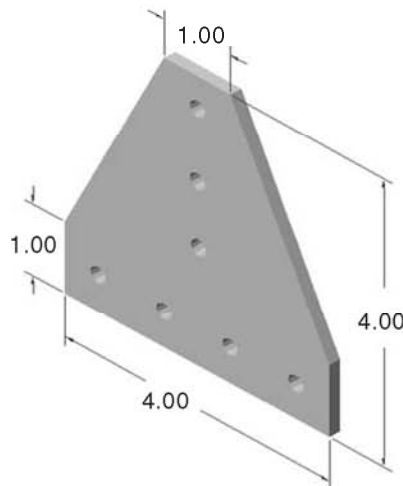
RECOMMENDED HARDWARE

QTY	DESCRIPTION	PART #
20	1/4-20 x 1/2 FBHSCS	13FA3309
20	1/4-20 ECONOMY T-NUT	10FA3121

For additional fasteners and t-nuts, see pages 300-303

10JP4212

10 SERIES
7 HOLE TEE JOINING PLATE



Part Wt: .200 lbs

RECOMMENDED HARDWARE

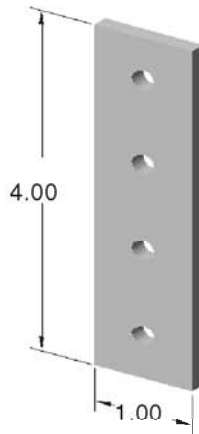
QTY	DESCRIPTION	PART #
7	1/4-20 x 1/2 FBHSCS	13FA3309
7	1/4-20 ECONOMY T-NUT	10FA3121

For additional fasteners and t-nuts, see pages 300-303

10JP4213

10 SERIES
4 HOLE JOINING STRIP

FOR FAST ASSEMBLY
USE 10FA3122



Part Wt: .065 lbs

RECOMMENDED HARDWARE

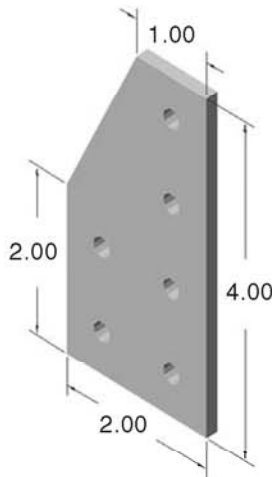
QTY	DESCRIPTION	PART #
4	1/4-20 x 1/2 FBHSCS	13FA3309
4	1/4-20 ECONOMY T-NUT	10FA3121

For additional fasteners and t-nuts, see pages 300-303

10JP4214

10 SERIES
6 HOLE 90° JOINING PLATE

FOR FAST ASSEMBLY
USE 10FA3122



Part Wt: .120 lbs

RECOMMENDED HARDWARE

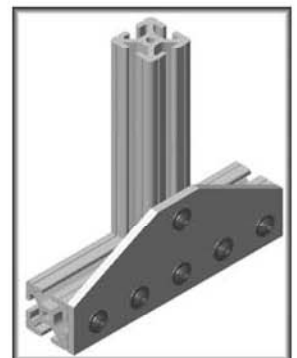
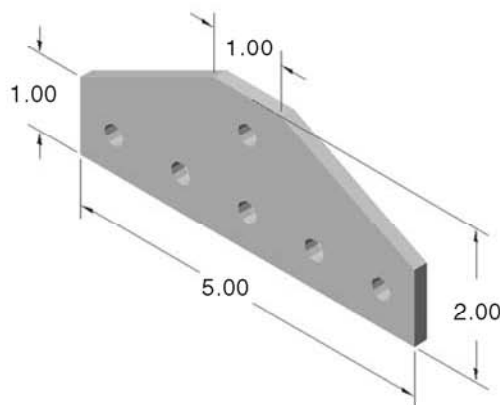
QTY	DESCRIPTION	PART #
6	1/4-20 x 1/2 FBHSCS	13FA3309
6	1/4-20 ECONOMY T-NUT	10FA3121

For additional fasteners and t-nuts, see pages 300-303

10JP4215

10 SERIES
6 HOLE TEE JOINING PLATE

FOR FAST ASSEMBLY
USE 10FA3122



Part Wt: .140 lbs

RECOMMENDED HARDWARE

QTY	DESCRIPTION	PART #
6	1/4-20 x 1/2 FBHSCS	13FA3309
6	1/4-20 ECONOMY T-NUT	10FA3121

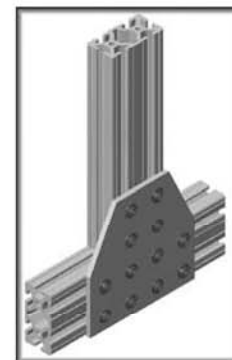
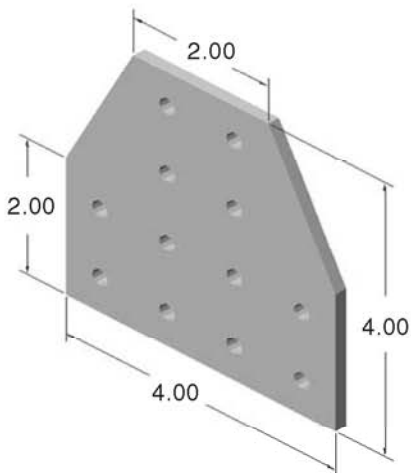
For additional fasteners and t-nuts, see pages 300-303

10JP4216

10 SERIES
12 HOLE TEE JOINING PLATE



FOR FAST ASSEMBLY
USE 10FA3122



Part Wt: .245 lbs

RECOMMENDED HARDWARE

QTY	DESCRIPTION	PART #
12	1/4-20 x 1/2 FBHSCS	13FA3309
12	1/4-20 ECONOMY T-NUT	10FA3121

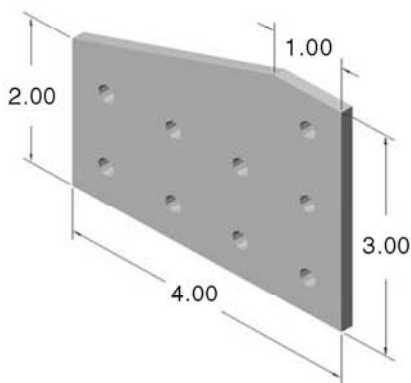
For additional fasteners and t-nuts, see pages 300-303

10JP4217

10 SERIES
9 HOLE 90° JOINING PLATE



FOR FAST ASSEMBLY
USE 10FA3122



Part Wt: .180 lbs

RECOMMENDED HARDWARE

QTY	DESCRIPTION	PART #
9	1/4-20 x 1/2 FBHSCS	13FA3309
9	1/4-20 ECONOMY T-NUT	10FA3121

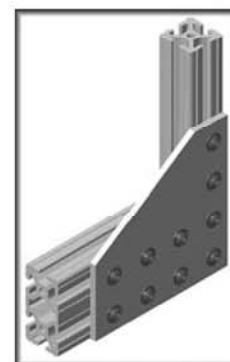
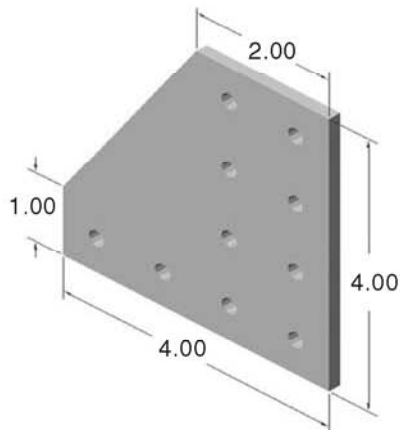
For additional fasteners and t-nuts, see pages 300-303

10JP4218

10 SERIES
10 HOLE 90° JOINING PLATE



FOR FAST ASSEMBLY
USE 10FA3122



Part Wt: .225 lbs

RECOMMENDED HARDWARE

QTY	DESCRIPTION	PART #
10	1/4-20 x 1/2 FBHSCS	13FA3309
10	1/4-20 ECONOMY T-NUT	10FA3121

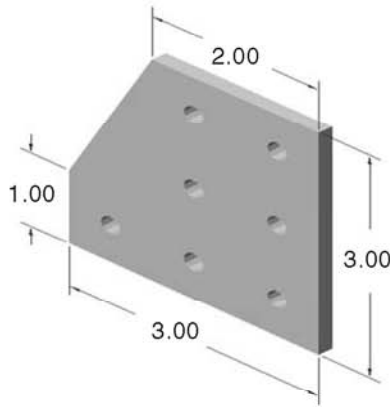
For additional fasteners and t-nuts, see pages 300-303

10JP4220

10 SERIES
7 HOLE 90° JOINING PLATE



FOR FAST ASSEMBLY
USE 10FA3122



Part Wt: .135 lbs

RECOMMENDED HARDWARE

QTY	DESCRIPTION	PART #
7	1/4-20 x 1/2 FBHSCS	13FA3309
7	1/4-20 ECONOMY T-NUT	10FA3121

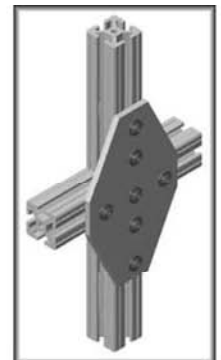
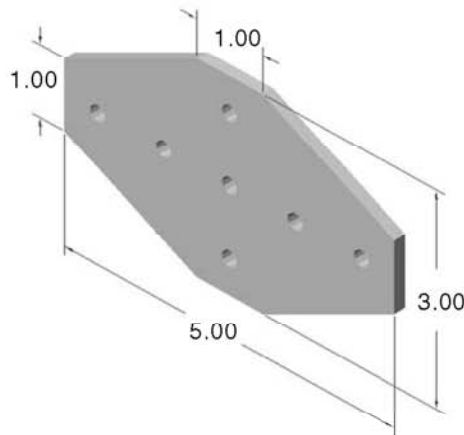
For additional fasteners and t-nuts, see pages 300-303

10JP4225

10 SERIES
7 HOLE CROSS JOINING PLATE



FOR FAST ASSEMBLY
USE 10FA3122



Part Wt: .190 lbs

RECOMMENDED HARDWARE

QTY	DESCRIPTION	PART #
7	1/4-20 x 1/2 FBHSCS	13FA3309
7	1/4-20 ECONOMY T-NUT	10FA3121

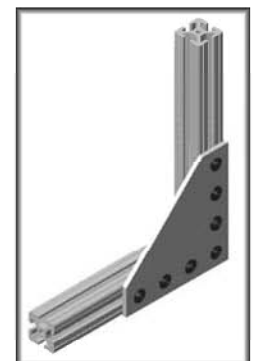
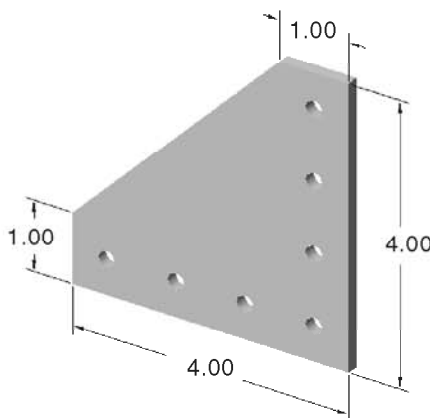
For additional fasteners and t-nuts, see pages 300-303

10JP4226

10 SERIES
7 HOLE 90° JOINING PLATE



FOR FAST ASSEMBLY
USE 10FA3122



Part Wt: .205 lbs

RECOMMENDED HARDWARE

QTY	DESCRIPTION	PART #
7	1/4-20 x 1/2 FBHSCS	13FA3309
7	1/4-20 ECONOMY T-NUT	10FA3121

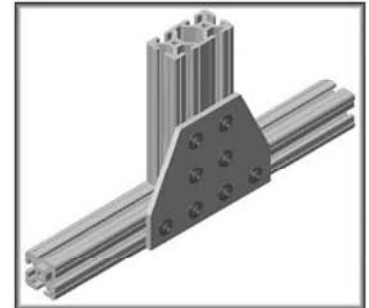
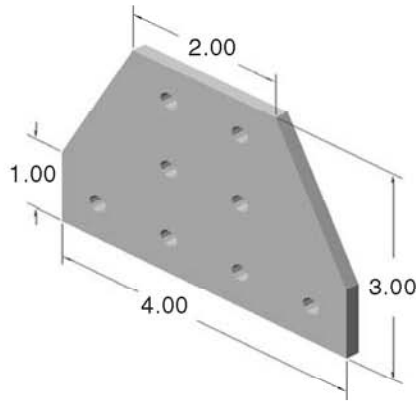
For additional fasteners and t-nuts, see pages 300-303

10JP4227

10 SERIES
8 HOLE TEE JOINING PLATE



FOR FAST ASSEMBLY
USE 10FA3122



Part Wt: .170 lbs

RECOMMENDED HARDWARE

QTY	DESCRIPTION	PART #
8	1/4-20 x 1/2 FBHSCS	13FA3309
8	1/4-20 ECONOMY T-NUT	10FA3121

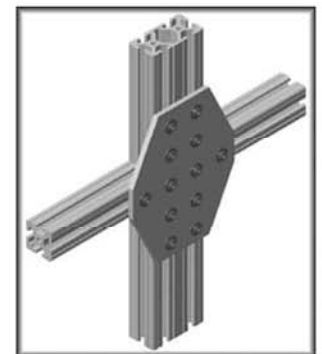
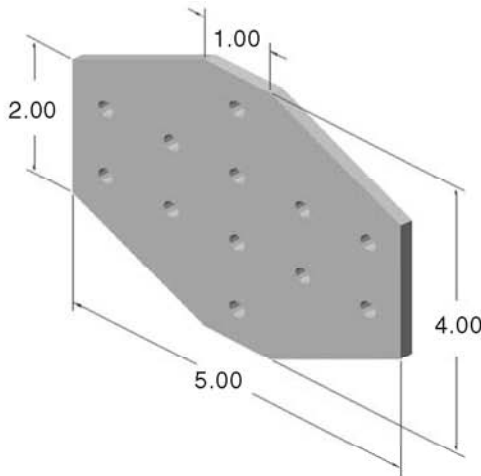
For additional fasteners and t-nuts, see pages 300-303

10JP4228

10 SERIES
12 HOLE CROSS JOINING PLATE



FOR FAST ASSEMBLY
USE 10FA3122



Part Wt: .285 lbs

RECOMMENDED HARDWARE

QTY	DESCRIPTION	PART #
12	1/4-20 x 1/2 FBHSCS	13FA3309
12	1/4-20 ECONOMY T-NUT	10FA3121

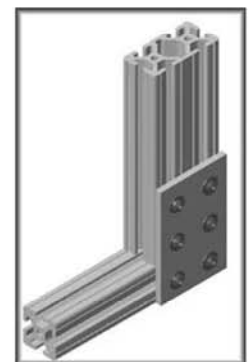
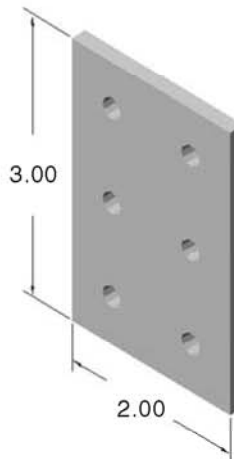
For additional fasteners and t-nuts, see pages 300-303

10JP4229

10 SERIES
6 HOLE JOINING PLATE



FOR FAST ASSEMBLY
USE 10FA3122



Part Wt: .100 lbs

RECOMMENDED HARDWARE

QTY	DESCRIPTION	PART #
6	1/4-20 x 1/2 FBHSCS	13FA3309
6	1/4-20 ECONOMY T-NUT	10FA3121

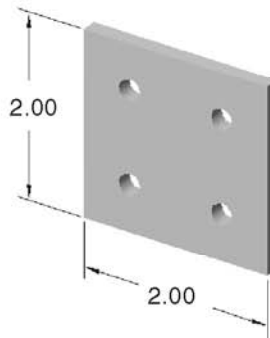
For additional fasteners and t-nuts, see pages 300-303

10JP4230

10 SERIES
4 HOLE JOINING PLATE



FOR FAST ASSEMBLY
USE 10FA3122



Part Wt: .070 lbs

RECOMMENDED HARDWARE

QTY	DESCRIPTION	PART #
4	1/4-20 x 1/2 FBHSCS	13FA3309
4	1/4-20 ECONOMY T-NUT	10FA3121

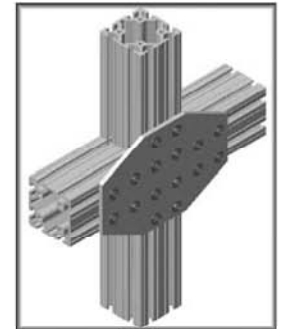
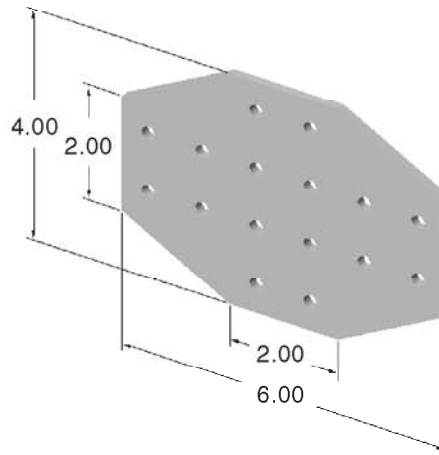
For additional fasteners and t-nuts, see pages 300-303

10JP4231

10 SERIES
16 HOLE CROSS JOINING PLATE



FOR FAST ASSEMBLY
USE 10FA3122



Part Wt: .350 lbs

RECOMMENDED HARDWARE

QTY	DESCRIPTION	PART #
16	1/4-20 x 1/2 FBHSCS	13FA3309
16	1/4-20 ECONOMY T-NUT	10FA3121

For additional fasteners and t-nuts, see pages 300-303



Pulley Cover



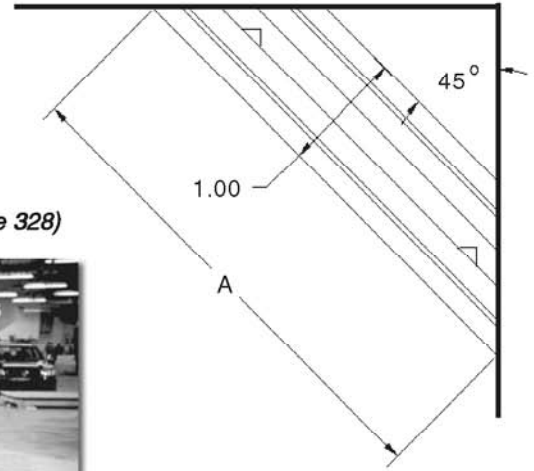
Small Work Station

45° SUPPORTS

Hardware Included!



- Great For Strong Right Angles
- We Make Custom 45° Supports (See Page 328)



Extrusion	Length A	Mounting Hardware (Included)	Part #
10EX1010	6.00"	(2) 1/4x5/8 SHCS, Washer, & Econo T-nut	10SP1801
10EX1010	12.00"	(2) 1/4x5/8 SHCS, Washer, & Econo T-nut	10SP1802
10EX1010	18.00"	(2) 1/4x5/8 SHCS, Washer, & Econo T-nut	10SP1803
10EX1020	6.00"	(2) 1/4x5/8 SHCS, Washer, & Econo T-nut	10SP1811
10EX1020	12.00"	(2) 1/4x5/8 SHCS, Washer, & Econo T-nut	10SP1812
10EX1020	18.00"	(2) 1/4x5/8 SHCS, Washer, & Econo T-nut	10SP1813



Welcome To The Shape Of Things To Come!

